

# Single Power Feed Canopies

**ST-700MOPRC02**

## POWER FEED CANOPIES

### GENERAL PRODUCT INFORMATION:



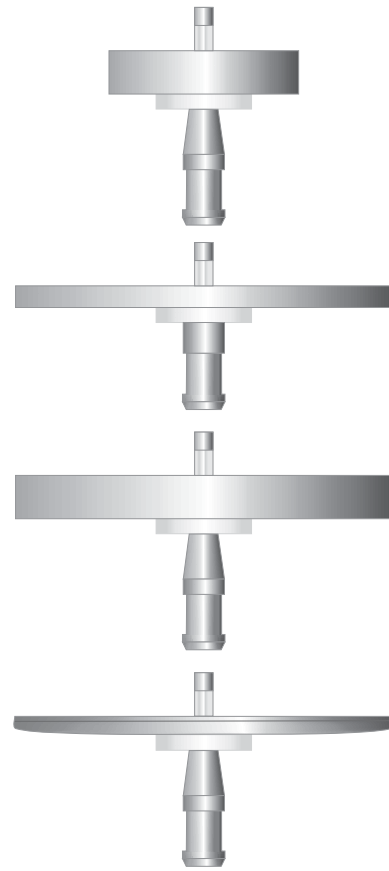
This fixture is intended to be installed utilizing NEC compliant junction boxes with a minimum depth of 2".

Minimum volume of the junction box must be 6 cubic inches (98 cubic centimeter).

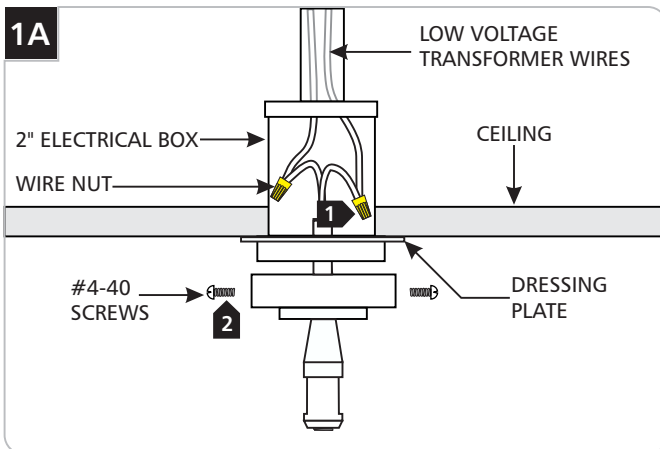
This product is suitable for indoor dry locations only.

**NOTE:** The remote transformer should be installed prior to these steps. Refer to the instructions provided with the remote transformer.

**NOTE:** When extending the MonoRail power feed canopy, refer to the instructions provided with the power feed extenders before following the steps below.



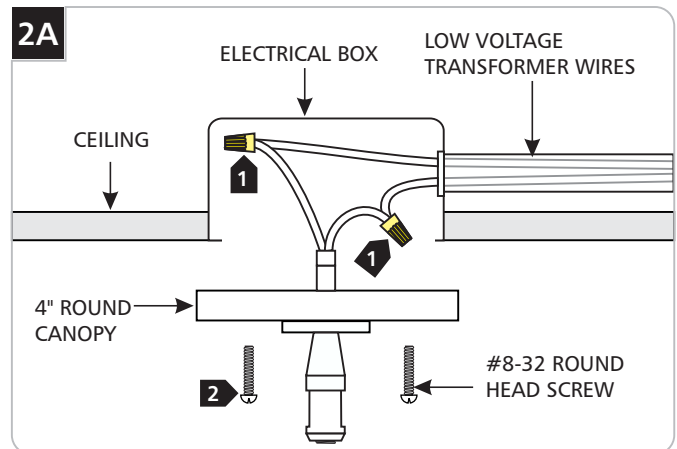
## Install the 2" Square Power Feed Canopy



**NOTE:** The 2" Electrical box should be installed prior to these steps. Refer to the instructions provided with the 2" electrical box.

- 1** Connect the power feed canopy wires to the low voltage wires coming from the remote transformer in the 2" electrical box with wire nuts.
- 2** Mount the 2" square canopy to the 2" electrical box with the two #4-40 screws.

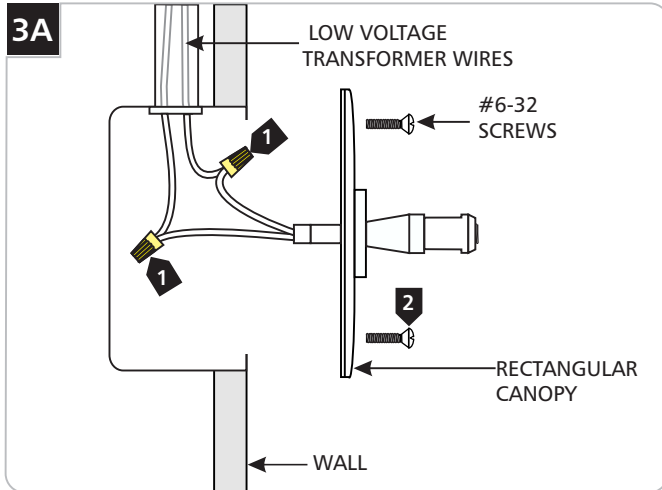
## Install the 4" Round Standard and Low Profile Power Feed Canopy



- 1** Connect the power feed canopy wires to the low voltage wires coming from the remote transformer in the electrical box with wire nuts.
- 2** Mount the 4" round power feed canopy to the electrical box with the two #8-32 screws.

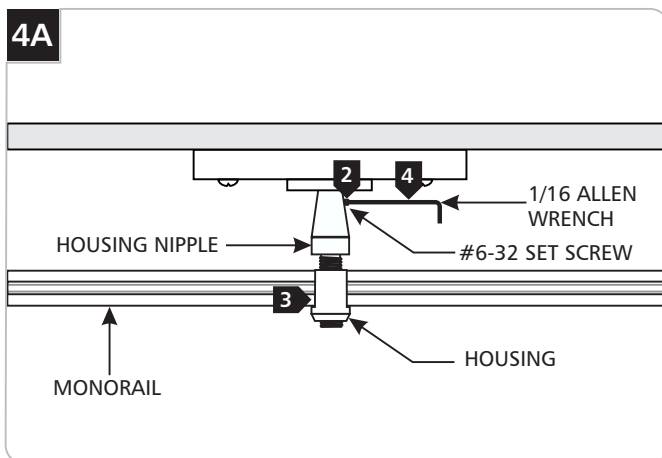
**NOTE:** Use the provided universal round crossbar when the canopy holes do not line up with the electrical box holes.

## Install the Rectangular Power Feed Canopy

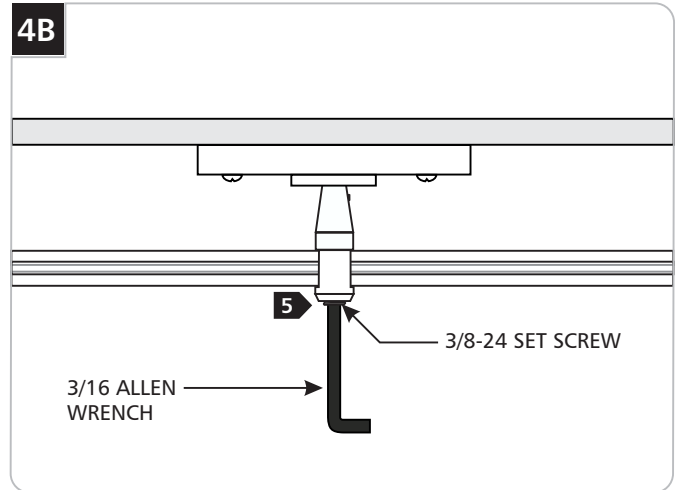


- 1** Connect the power feed canopy wires to the low voltage wires coming from the remote transformer in the electrical box with wire nuts.
- 2** Mount the rectangular power feed canopy to the electrical box with the two #6-32 screws.

## Connecting the MonoRail to the Power Feed Canopy



- 1** Unscrew the housing nipple from the housing.
- 2** Loosen the #6-32 set screw on the housing nipple with 1/16 Allen wrench.
- 3** Place the MonoRail into the housing. Screw the housing nipple to the housing tight by twisting the housing nipple clockwise.
- 4** Tighten the #6-32 set screw with the 1/16 Allen wrench.



- 5** Tighten the 3/8-24 set screw on the bottom of the housing with the 3/16 Allen wrench.

**SAVE THESE INSTRUCTIONS!**

**STEP 1**<sup>®</sup>  
**DEZIGNS**  
 LIGHTING INNOVATION

630 Terminal Way, Costa Mesa, CA 92627  
 949.270.0250

[step1dezigns.com](http://step1dezigns.com)

© 2017 Step 1 Dezigns Inc. All rights reserved.