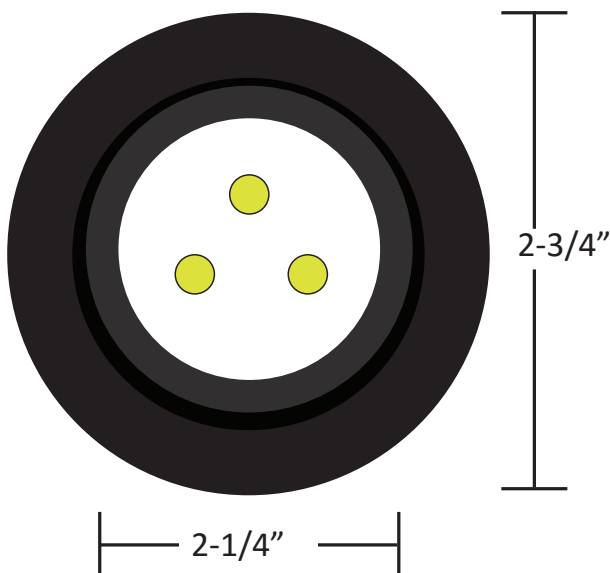


SPEC SHEET

LED 3 Watt Ultra Slim Puck

STDC303

- Energy Efficient
- Easy to Install
- Ultra Slim & Modern Design



Description

The LED 3 Watt Ultra Slim Puck Light can be recessed or surface mounted. It comes with high tension mounting clips for recessed or surface application. Great for displays units with minimal ceiling spaces. Standard halogen fixtures heat up and are very hard to handle. The STDC303 series keeps cool to the touch and emits no ultraviolet or infrared radiation. Strong and durable construction with high tension mounting clips.

Specifics:

Output:	3 x 1 watt /350mA
Color Temp.:	Cool White 5k or Warm White 3k
Brightness:	180 Lumens
Beam Angle:	15° - 40°
Size:	2-3/4" O.D. x 1/2" tall (When using housing: 2-3/4" O.D. x 9/16" tall)
Cut-out Size:	2-1/4"
Finish:	Brushed Nickel
Dimmable:	Yes, with Dimmable LED Driver
Lifespan:	± 30,000 - 50,000 hours
Mounting:	Recessed or Surface Applications
Power Supply:	350mA LED Drivers
Included Items:	39" lead with molded plug to fit into the STDC306, multi-fixture connection block.
Required:	<ol style="list-style-type: none"> 1. Choose fixture quantity. 2. Select appropriate 350mA Power Supply. 3. A Connection block is required if connecting more than one fixture in an area.
Installation:	LED Ultra Slim Puck lights must be connected in series.



Series LED Wiring Diagram

