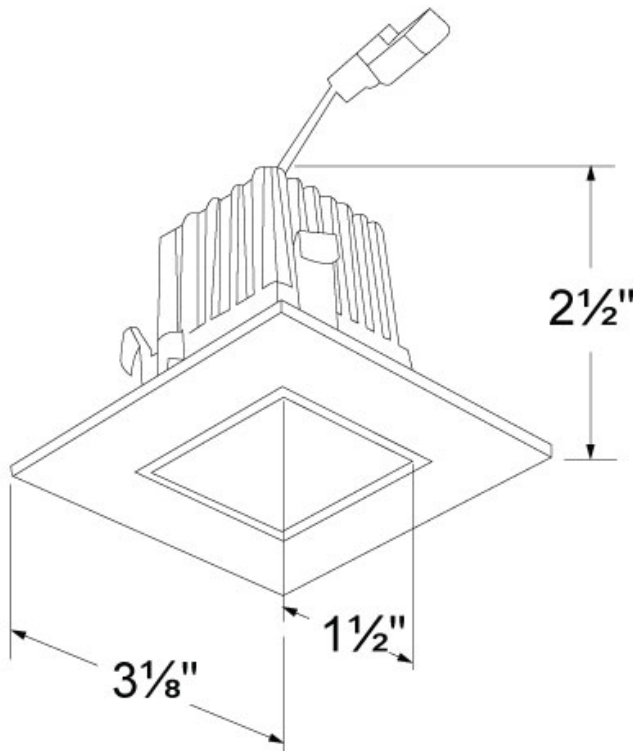


SPEC SHEET

2" LED Square Reflector Trim

- Modern Design
- Energy Efficient
- Easy to Install



ST-213-30

Description

The 2" LED Square Reflector Trim is suitable for use with a 2" recessed housing. It produces even illumination without diode image. It is suitable for use in fixtures installed in insulated ceilings, new construction, remodel housings, and 2" recessed fixtures installations with 2-wire connector. The low profile unit is CA Title 24 compliant, meets ENERGY STAR requirements, and UL wet listed. It produces 650 lumens at 90+ CRI. Available in Warm White 3000K.

Specifics

Wattage:	9w
Voltage:	120v
Color Temp.:	3000K Warm White
Brightness:	650 Lumens
Beam Angle:	36°
CRI:	90+
Dimmable:	Yes, with compatible dimmer
Size:	H: 2.5" Aperture: 1.5" L/W: 3.125"
Lifespan:	± 30,000 - 50,000 hours
Finish:	White
Labels:	- Energy Star Listed - cULus Wet Listed - CEC Title 24 Listed - Meets ASTM-E283 Air Tight requirements
Warranty:	5 Year Limited Warranty

