

SPEC SHEET

LED High Output Linkable Arm Light

STDC157LED

- Linkable up to 10 LED Arm Light
- 24 Energy Efficient High Output LED Chips
- Pivots at head 0° - 30° & Rotates 359°
- Plugs directly into any 120V Outlet



Description

Our LED Line Voltage High Output Linkable Arm Light is one of our brightest LED Arm Lights yet. You may Link up to 10 LED Arm Lights together with supplied male/female power cord. The fixture emits low heat and is accepted at all trade show venues. Having a light-weight construction, versatile mounting, and pre-wired with an internal LED driver, the STDC157LED is ready to mount to your display unit. Available in Black or Silver Finish.

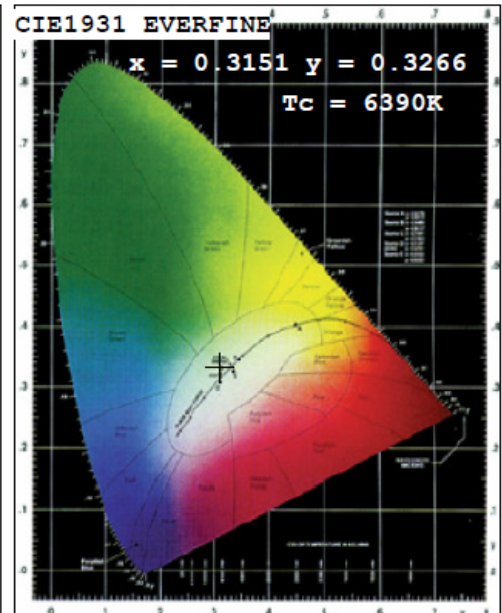
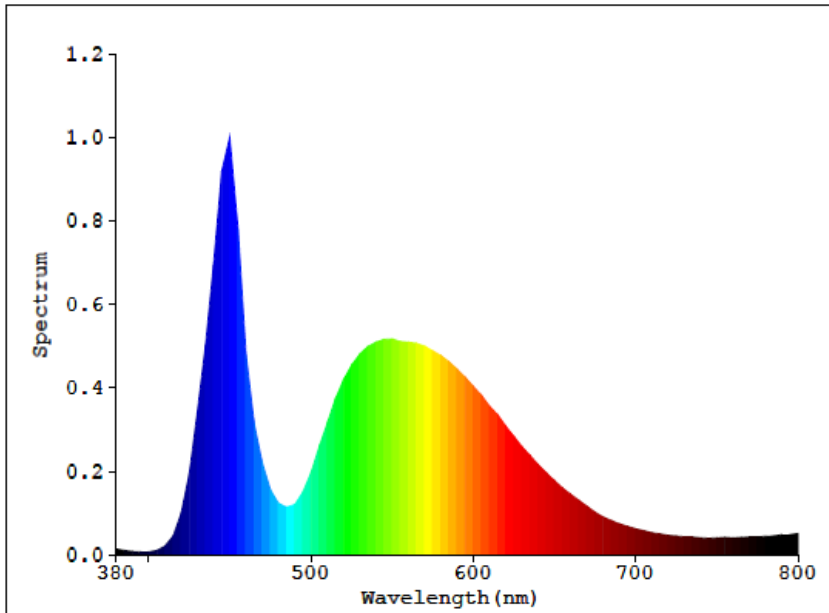


Specifics:

Wattage:	50w
Voltage:	120v
Color Temp.:	5000k Cool White
Brightness:	5000 Lumen
Beam Angle:	60° - 90°
# of Diodes:	24
Dimmable:	No
Pivots:	At Head 0° - 30° and Rotates 359°
Overall Length:	18"
Head Size:	8.25" L x 5.5" W x 1.75" depth
Lifespan:	± 30,000 - 50,000 hours
Mounting:	Universal base to accept an assortment of mounting options
Included:	(1) LED Arm Light, (1) 4 Ft Male/Female Cord, (1) 8 Ft Power Cord (1) 3.5" Mounting Clamp



Light Source Test Report



Color Parameters:

Chromaticity Coordinate: $x=0.3151$ $y=0.3266$

Chromaticity Coordinate: $u'=0.3151$ $v'=0.3266$ ($duv=7.10e-04$)

$T_c=6390K$ Dominant WL: $L_d=486.8nm$ Purity=6.7% Centroid WL: $545.0nm$

Ratio: $R=13.8\%$ $G=82.6\%$ $B=3.6\%$ Peak WL: $L_p=450.0nm$ $HWL:24.8nm$

Render Index: $R_a=73.6$

$R_1 = 73$ $R_2 = 76$ $R_3 = 76$ $R_4 = 76$ $R_5 = 74$ $R_6 = 67$ $R_7 = 81$

$R_8 = 65$ $R_9 = -13$ $R_{10} = 41$ $R_{11} = 74$ $R_{12} = 44$ $R_{13} = 73$ $R_{14} = 86$ $R_{15} = 70$

Photo Parameters:

Flux: 5777.1 lm Fe: 19.054 W Efficacy: 114.3 lm/W

Electrical Parameters:

Luminaire: $U=220.6V$ $I=0.2347A$ $P=50.53W$ $PF=0.9758$

Instrument Status:

Scan Range: $380.0nm-800.0nm$ Interval: $5.0nm[0]$

REF=12007(R=3)

$\%=-0.143\%$

$I_p=33031$ ($G=3, D=50$)

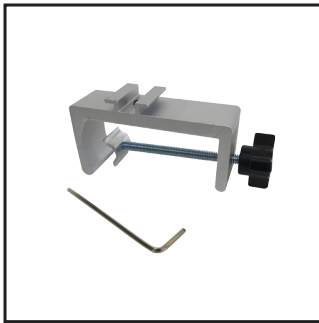
PMT: 16.1 centigrade [17.3]

Number:02
Temperature:25.3 deg
Test Operator:ZOU
Software:V2.00.100

Test Department:SLT-RD
Humidity:65.0%
Test Date:2017-02-27 11:50:23
Instrument:PMS-80_V1 (SN:11010045)

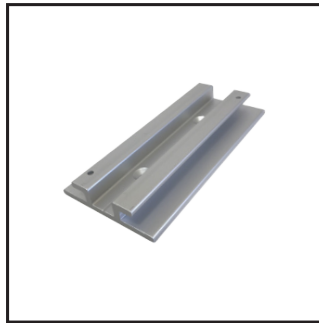
Mounting Options

3.5" Clamp



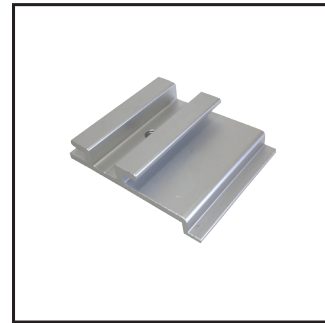
3.5" Clamp for Wall or
Pipe Mounting
Applications
(Included)
4.75" L x 1.4" W x 2.75" H

STDL-58BAR



Flat Bar Mounting Clip
(Sold Separately)
4" L x 2" W x 0.438" H

STDL-59



Universal Mounting Clip
(Sold Separately)
2" L x 2.5" W x 0.625" H