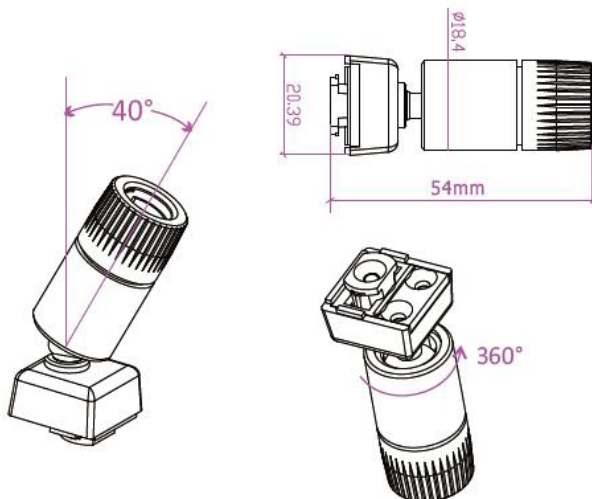


SPEC SHEET

LED Mini Power Track Spot Light

- Energy Efficient LED with Low Power Consumption
- Easy to Install LED mini Track Spot Lights
- Works with 12v or 24v DC LED Drivers
- Light Weight Construction for Display Case Applications



STDC-Q10-xK

Description

Take advantage of our LED Mini Track Spot Lights to enhance your jewelry display case and make your showcase, retail display, or jewelry case stand out. It can be easily installed with our mini Track system and Power Feed (see related products, sold separately). The LED Mini Track Spot Lights are available in Satin Nickel finish with 6000k, 4000k, or 3000k color temperature options.

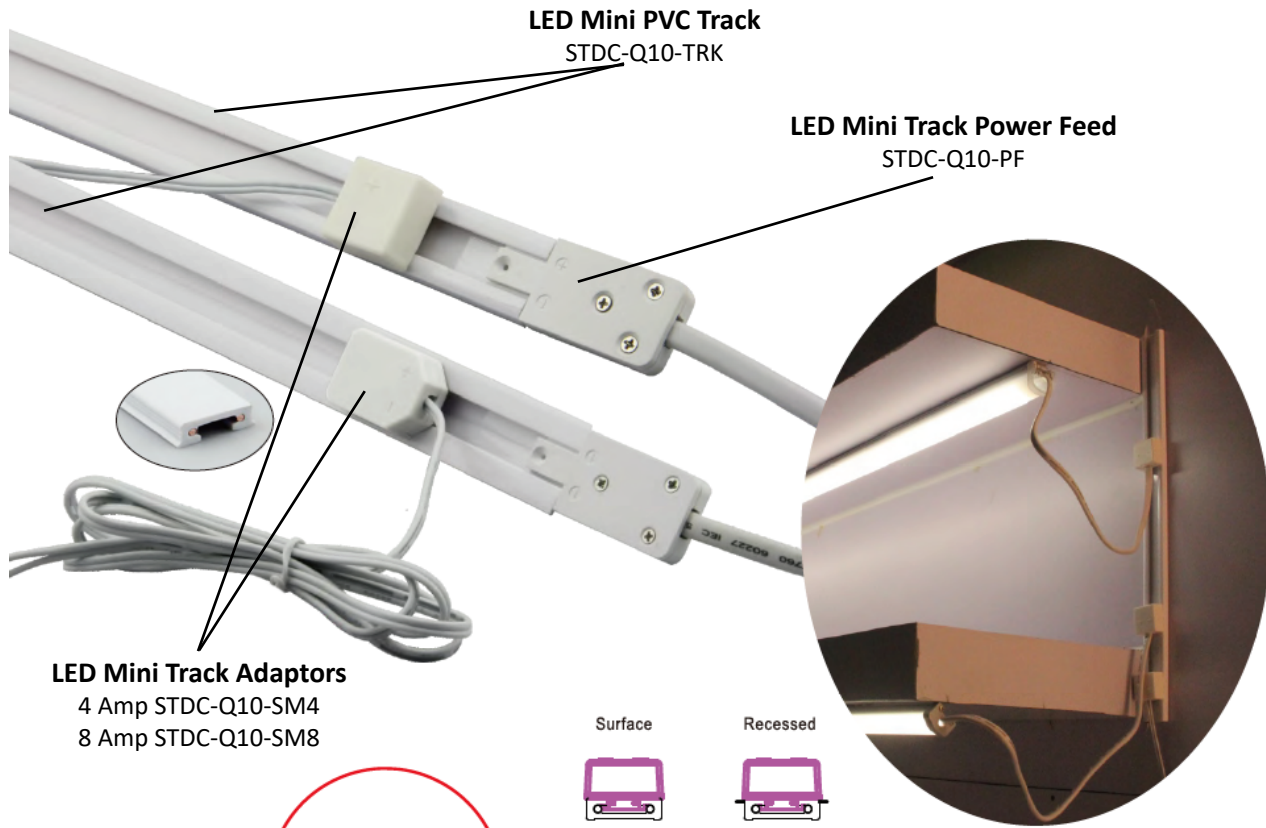
For any lighting questions with planning large retail store lighting projects please call 949-270-0250 to speak to a customer service representative today.

Specifics:

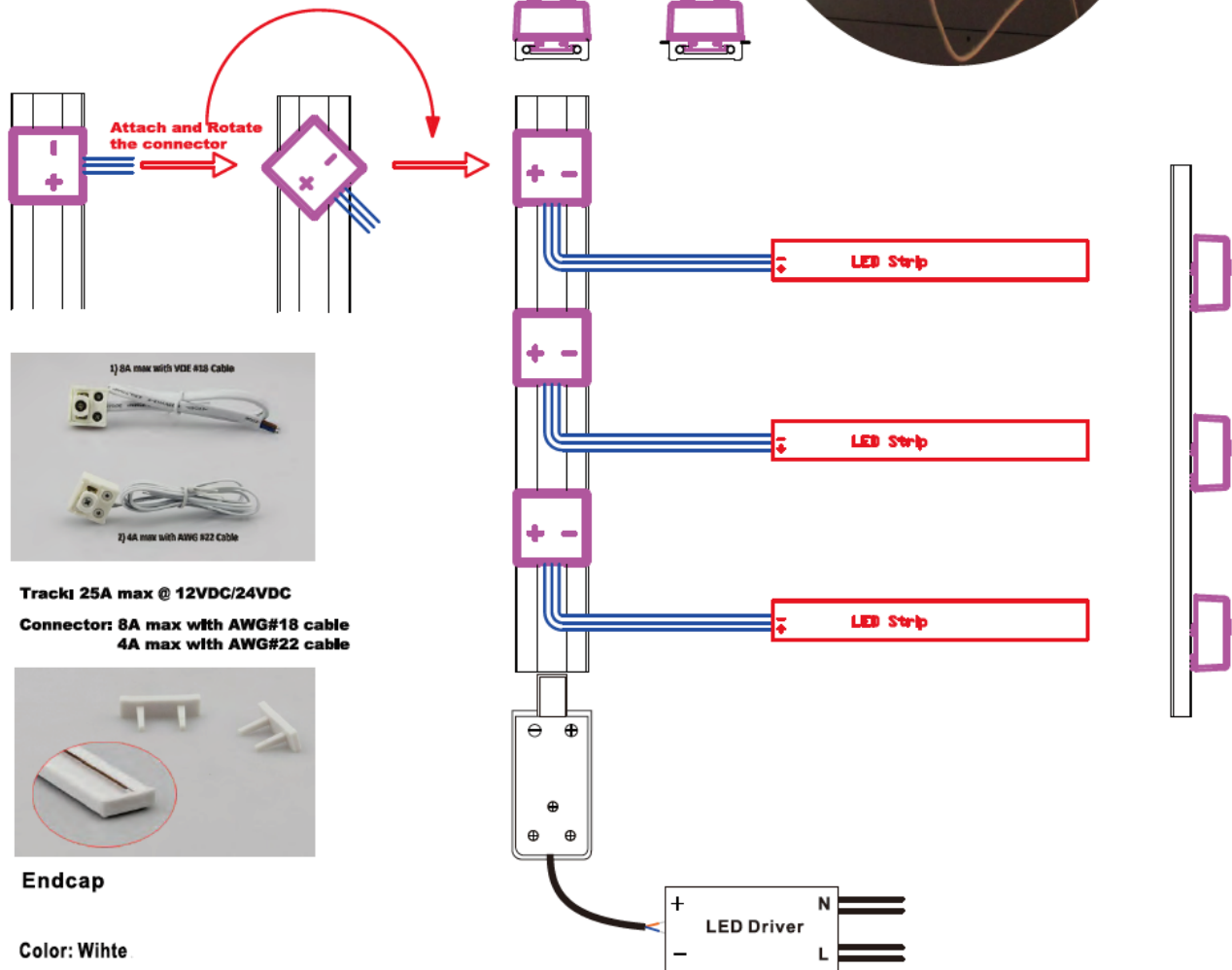
Wattage:	1w
Voltage :	12v DC
Color Temp.:	6000k Cool White, 4000k Natural White, 3000k Warm White
Brightness:	65 Lumen
Beam Angle:	40°
CRI:	± 80
Dimmable:	No
Size:	2" L x 0.7" D
Lifespan:	± 30,000 - 50,000 hours
Mounting:	Compatible with LED mini Track, twist to mount
Power Supply:	12V or 24V DC LED Drivers
Required:	LED Mini Track & Power Feeds are sold separately, see related products
Environment	Suitable for Indoor Dry Location

Mini Power Track & Adapters:

(Sold Separately)



LED Mini Track Adaptors
 4 Amp STDC-Q10-SM4
 8 Amp STDC-Q10-SM8



Mini Power Track & Adapters:

(Sold Separately)



LED Mini PVC Track

STDC-Q10-TRK
12/24V DC
Available in 40" Length
Requires Power Feed



LED Mini Track Power Feed

STDC-Q10-PF
12/24V DC
Adapter Plug: 1.8" L x 0.75" W x 0.25" H
Power Wire Length: 39"



LED Mini Track Adaptors

4 Amp STDC-Q10-SM4
8 Amp STDC-Q10-SM8
12/24V DC
Track Adaptor: 0.75" L x 0.75" W x 0.5" H
Power Wire Length: 39"