

SPEC SHEET

LED Elumalight Telescoping Arm Light

S90057

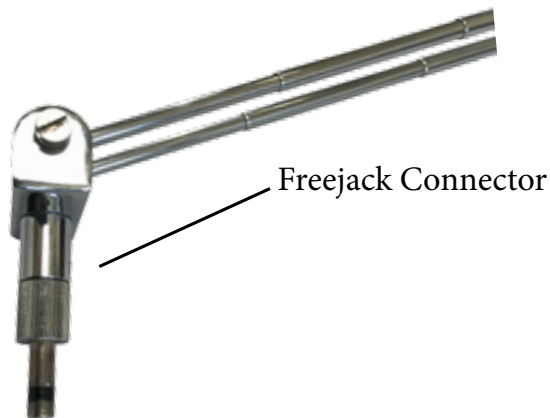
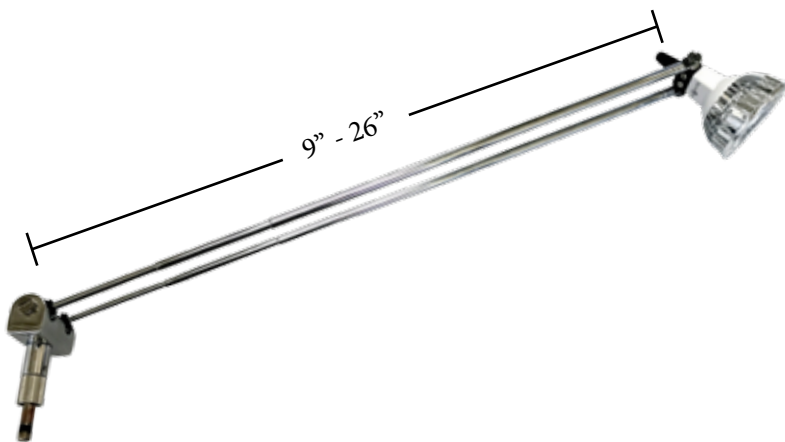
- Arm Telescopes from 9" to 26"
- Easy Installation
- Chrome Finish

Description

The LED Freejack Telescoping Arm Light is designed to deliver high quality spot lighting to fit with various trade show booth applications. The fixture emits low heat and is accepted at all exhibit venues. Having a lightweight construction, versatile freejack mounting options (see related products). It is ready to mount to your display unit. Available in Chrome or Satin Nickel finish. Contact us at sales@step1dezigns.com for all your trade show booth or exhibit projects.

Specifics

Wattage:	5w
Voltage:	12v DC
Color Temp:	3000k Warm White, 5000k Cool White
Brightness:	400 Lumens
Beam Angle:	36°
Dimmable:	No
Arm Angle:	160°
Finish:	Chrome or Satin Nickel
Environment:	Suitable for Indoor Dry Location
Mounting:	See Related Products
Included items:	(1) LED Freejack Telescoping Arm (1) 5w Bi-Pin MR-16 Bulb



Installation

See the following instructions to install GU5.3 base LED MR-16 Bulb:



Step 1: Loosen the two Phillip Head Screws by turning Phillip Head Screwdriver counter-clockwise. Do not remove the Supplied Screws from fixture. Please be careful not to loose the supplied Phillip Screws.

Step 2: Make sure there is enough clearance so the Phillip Head Screws are not blocking light socket holes.

Step 3: Plug the LED GU5.3 MR-16 Bulb into the socket gently. Note: Do not plug the bulb into the Phillip Head Screw mounting holes.

Step 4: Gently tighten the two Phillip Screws by turning Phillip Head Screwdriver clockwise. Make sure both Phillip Head Screws are secure.