

## SPEC SHEET

### LED MR-11 Mini Light

**S90005**

- Energy Efficient
- Easy to Install
- Ultra Slim & Modern Design

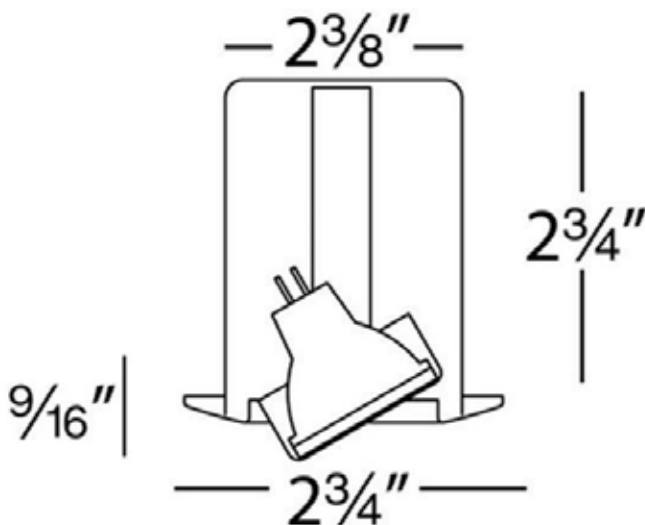


### Description

The LED MR-11 Mini Recessed 35° Swivel Fixture is ideal for use in shelving, cabinets and displays. Its low profile and shallow installation creates a modern design for recessed applications. The MR-11 Mini Trim is supplied with Cool White or Warm White MR-11 LED bulb and metal housing with cutout template for recessed installation project. It is not intended for use in walls or ceilings.

### Specifics:

<b>Wattage:</b>	2.2w
<b>Voltage:</b>	12v AC/DC
<b>Color Temp.:</b>	Cool White 5k or Warm White 3k
<b>Brightness:</b>	160 Lumens
<b>Beam Angle:</b>	15° - 40°
<b>Size:</b>	2-2/4" O.D. x 2-3/4" H.
<b>Cut-out Size:</b>	2-3/8"
<b>Finish:</b>	Black, White, Brushed Nickel, Chrome, or Cooper Bronze
<b>Dimmable:</b>	Yes, with Dimmable LED Driver
<b>Lifespan:</b>	± 30,000 - 50,000 hours
<b>Mounting:</b>	Recessed or Surface Applications
<b>Power Supply:</b>	12v AC/DC LED Drivers
<b>Included Items:</b>	LED MR-11 Bulb and Cutout Template
<b>Required:</b>	<ol style="list-style-type: none"> <li>1. Choose fixture quantity.</li> <li>2. Select appropriate 12V LED Power Supply.</li> <li>3. Select Desired Color Temperature.</li> </ol>





**STVOFL60E**

- LED Pre-Wired Driver 60W 12VDC
- Input: 100-240V
  - Output: 60 Watts/12V/5A DC
  - Size: 4.63"W x 2"D x 1.25"H



**STVOFL100E**

- LED Pre-wired Driver 100W 12VDC
- Input: 100-240V
  - Output: 100 Watts/12V/8A DC
  - Size: 5.5"W x 2.31"D x 1.25"H



**STDC4012D**

- LED Dimmable Driver 40W 12VDC
- Input: 120V
  - Output: 40 Watts/12VDC
  - Dims 100% - 0%
  - Size: 2.11"W x 1.6"D x 7.38"H



**STDC6012D**

- LED Dimmable Driver 60W 12VDC
- Input: 120V
  - Output: 60 Watts/12VDC
  - Dims 100% - 0%
  - Size: 6.50"W x 2.25"D x 2.5"H



**STDC10012D**

- LED Dimmable Driver 100W 12VDC
- Input: 120V
  - Output: 100 Watts/12VDC
  - Dims 100% - 0%
  - Size: 9.75"W x 3"D x 3"H



**STDC15012D**

- LED Dimmable Driver 150W 12VDC
- Input: 120V
  - Output: 150 Watts/12VDC
  - Dims 100% - 0%
  - Size: 9.75"W x 3"D x 3"H



**STDC1220**

- LED Driver 20W 12VDC
- Input: 100-240V
  - Output: 20 Watts/12VDC
  - Size: 3.75" W x 2" D x 1.5" H
  - Hardwire



**STDC1240**

- LED Driver 40W 12VDC
- Input: 100-240V
  - Output: 40 Watts/12VDC
  - Size: 4"W x 2.5"D x 1.5"H
  - Hardwire



**STDC1260**

- LED Hardwire Driver 60W 12VDC
- Input: 100-277V
  - Output: 60 Watts/12VDC/5A
  - Size: 4.625"W x 2"D x 1.25"H
  - Hardwire



**STVOFL10012D**

- LED Single Channel Driver 100W 12VDC
- Input: 85-264VAC
  - Output: 100 Watts/12VDC/8.5A
  - Size: 5.08"L x 3.82"W x 1.18"D
  - Hardwire



**STVOFL15012D**

- LED 2-Channel Driver 150W 12VDC
- Input: 100v
  - Output: 2 x 75 Watts/12V DC
  - Size: 6"W x 4.25"D x 2"H
  - Hardwire



**STVOFL32012D**

- LED 3-Channel Driver 320W 12VDC
- Input: 100-240V
  - Output: 3 x 100Watts/12VDC
  - Size: 8.5"W x 4.5"D x 2"H
  - Hardwire

