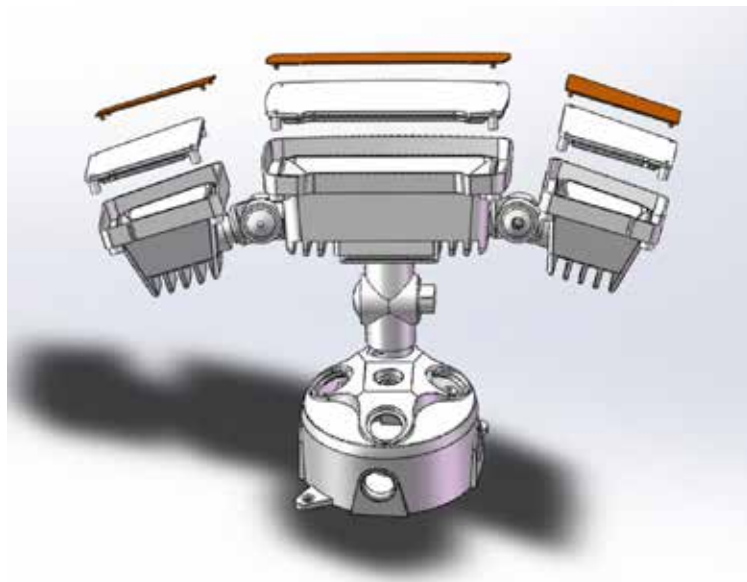


SPEC SHEET

Dual Head LED Motion Security Light

- Eco-Star LED double-head security flood light
- 2 integrated 10 watt LEDs (one in each lamp)
- White or Bronze finish aluminum housing
- Adjustable pivot arms
- Manual override of motion sensor
- Adjustable run time



ST-LF20SMH3

Description

The LED Dual Head Motion Security Light is a great option for outdoor walkways, garage areas, back door entrances and more, this double head security floor light is a bright energy saver. This Unit is 5000K Day Light and also 3000K Warm White. It uses a Patent pending snap-in lens and it converts the unit to a 3000K. It comes with three built-in, high-power LED arrays that use a mere 6 watts of power each, yet have a light output comparable to a 120-Watt bulb. The design also has a built-in 270° motion detector with a 70-foot maximum range and a photocell for dusk-to-dawn operation. Pivoting arm on each light allows you to aim light where it's needed. Durable aluminum housing with white finish.

Specifics

Wattage:	22w
Voltage:	120-277v AC
Color Temp.:	5000k Cool White converts to 3000k with patented lens
Brightness:	1640 Lumen
Dimmable:	No
Lifespan:	± 30,000 - 50,000 hours
Mounting:	Wall Mount
Environment:	Suitable for Indoor/Outdoor
Finish:	White or Bronze