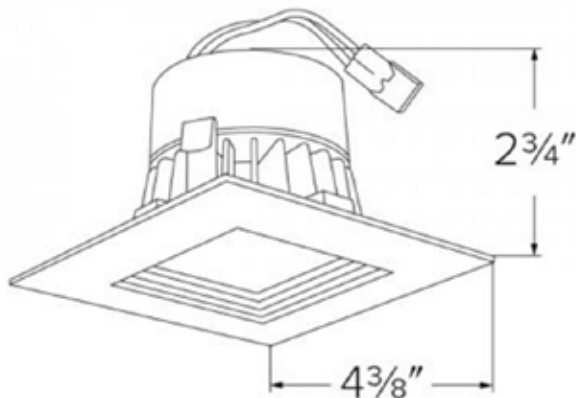


## SPEC SHEET

### 3" LED Square Baffle Trim

- Modern Design
- Energy Efficient
- Easy to Install



### ST-331-30

#### Description

The 3" LED Square Baffle Trim inserts are designed with energy-efficient LED technology that produces even illumination with an incredible 93+ CRI. Designed to be used for New Construction, Remodel, and Retrofit applications, these inserts are rated for a life up to 50,000 hours, and meet the Title 24 and Energy Star requirements. Suitable for IC and Non-IC housings. The best choice for simple exhibit and display lighting projects. It produces even illumination without diode image. The low profile unit is CA Title 24 compliant, meets ENERGY STAR requirements, and UL wet listed. It produces 700 lumens. Available in white or bronze finish options.

#### Specifics

<b>Wattage:</b>	<b>9w</b>
<b>Voltage:</b>	<b>120v</b>
<b>Color Temp:</b>	<b>3000k Warm White</b>
<b>Brightness:</b>	<b>700 Lumens</b>
<b>Beam Angle:</b>	<b>90°</b>
<b>CRI:</b>	<b>93+</b>
<b>Dimmable:</b>	<b>with compatible Triac/ELV Dimmer</b>
<b>Height:</b>	<b>2.75"</b>
<b>Length:</b>	<b>4.375"</b>
<b>Width:</b>	<b>4.375"</b>
<b>Lifespan:</b>	<b>± 30,000 - 50,000 hours</b>
<b>Finish:</b>	<b>White or Bronze</b>
<b>Listings:</b>	<ul style="list-style-type: none"> <li>- Energy Star Listed</li> <li>- cULus Wet Listed</li> <li>- CEC Title 24 Listed</li> <li>- ASTM-E283 Air Tight</li> </ul>
<b>Warranty:</b>	<b>5 Year Limited Warranty</b>

