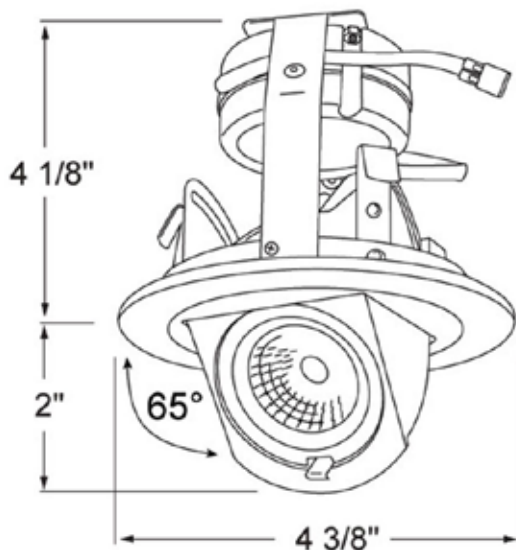


SPEC SHEET

3" LED Round Pull Down Trim

- Great for lighting up displays and spotlighting.
- Interchangeable lenses available for multiple beam angles 38° installed, 20° and 60° Field Changeable optics sold separately.
- Provides maximum adjustability of 88° tilt, 356° rotation.



ST-397-30

Description

The 3" LED Round Pull Down Trim inserts are engineered with energy-efficient LED technology that produces even illumination with an incredible 93+ CRI. Designed to fit in 3" dedicated LED Recessed Housings for New Construction, Retrofit, and Remodel. These inserts are rated for a life up to 50,000 hours, and meet the Title 24 and Energy Star requirements. Suitable for IC and Non-IC housings. The best choice for simple exhibit and display lighting projects. It produces even illumination without diode image. The 3" LED Round Pull Down Trim is CA Title 24 compliant, meets ENERGY STAR requirements, and UL wet listed. It produces 700 lumens. Available in white, black, bronze, or nickel finish options.

Specifics

Wattage:	10.8w
Voltage:	120v
Color Temp:	3000k Warm White
Brightness:	840 Lumen
CRI:	93+
Dimmable:	with compatible Triac/ELV Dimmer
Height:	4.125" (+2" with pull down)
Aperture:	3"
Diameter:	4.375"
Lifespan:	± 30,000 - 50,000 hours
Finish:	White, Black, Bronze, Nickel
Listings:	- Energy Star Listed - cULus Wet Listed - CEC Title 24 Listed - ASTM-E283 Air Tight
Warranty:	5 Year Limited Warranty

