

# LED Dimmable Ultra Slim Round Panel Light

SPECIFICATION SHEET

STDC-x1xx-W/N/BZ



### Order SKUs:

4" - 3000k - White Finish	STDC-4130W
4" - 3000k - Nickel Finish	STDC-4130N
4" - 3000k - Bronze Finish	STDC-4130BZ
4" - 4000k - White Finish	STDC-4140W
4" - 4000k - Nickel Finish	STDC-4140N
4" - 4000k - Bronze Finish	STDC-4140BZ
6" - 3000k - White Finish	STDC-6130W
6" - 3000k - Nickel Finish	STDC-6130N
6" - 3000k - Bronze Finish	STDC-6130BZ
6" - 4000k - White Finish	STDC-6140W
6" - 4000k - Nickel Finish	STDC-6140N
6" - 4000k - Bronze Finish	STDC-6140BZ

### Applications:

Office, Retail Store, Displays, Tradeshow Booth

### Features:

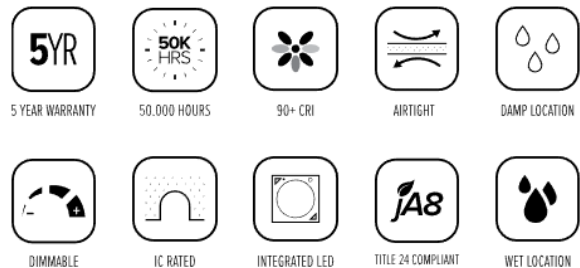
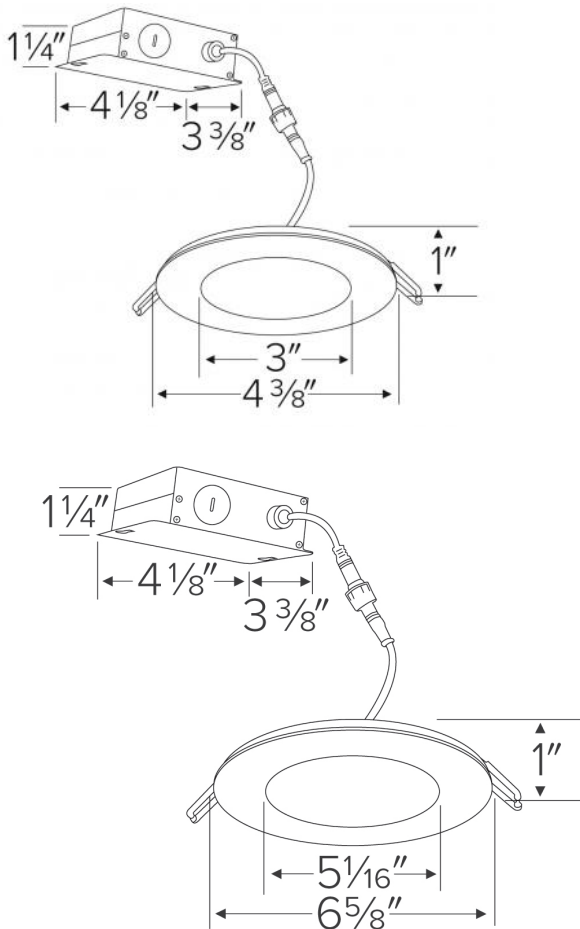
- IC Airtight for use with direct contact to insulation
- Designed to fit in plenums as shallow as 2"
- Eliminates the need for housing
- New Construction application requires mounting plate for frame
- Remodel applications require no additional accessories
- Wet Location allows for use indoors or outdoors
- CA Title 24 Compliant and ENERGY STAR Certified

### Description:

The 4" or 6" LED Dimmable Ultra Slim Round Panel Light fixture is CE, ROHS certificate, guarantee of high-quality. It is perfect for corridor, hallway, living room, meeting room, office, store, super market, exhibition, or other home and commercial use. It is designed for quick and easy installation without a housing for both new construction and remodel applications. This IC-rated fixture can be installed indoor or outdoor. Available in 2 color temperature, and 3 finish options. LED Driver and J-box is included.

### Specification:

Wattage:	12 watt
Voltage:	120V
Brightness:	750 Lumen
Color Temp.:	3000k or 4000k
CRI:	90+
Beam Angle:	180°
Dimmable:	Yes, Triac/ELV
Dimension:	4" or 6" O.D. x 1" H (See Diagram)
Lifespan:	± 30,000 - 50,000 hours
Mounting:	Recessed
Environment:	Dry or Wet Location



# LED Dimmable Ultra Slim Round Panel Light

## Technical Details

**Optics:** Polycarbonate lens diffuses light evenly throughout space with no LED pixelation.

**Construction:** IC rated driver and fixture are tested and approved for direct contact with insulation. Aluminum die-cast trim ring with durable powdercoat finish preventing rust and paint cracking. Plenum rated cable connector to connect from module to remote driver box. Isolated driver integrated inside aluminum remote box with two 7/8" knockouts with slots for pryout.

**Installation:** Designed for super shallow ceiling plenums without any housing. High strength steel spring clip for easy installation. Hole cut out template provided for accurate hole size for proper trim installation. Maximum hole size should not exceed 4 1/4" (4" Panel) or 6 1/4" (6" Panel) for this product. Suitable installation for T-grid and drop ceiling applications.

**Electrical:** Driver connects directly to 120V power supply. Standard input wattage is 12W, 58 lumens per watt. Replaces 70W incandescent.

**Dimmability:** Works with 120V Triac and ELV type dimmers. Dims down to 10%. For full list of dimmers, refer to the ELM System Dimmer Compatibility Chart.

**Listings:** ETL Listed for Wet Locations. ENERGY STAR® Certified. IC-Rated for direct contact with insulation. Air Tight certified in accordance with ASTM E283-2004. California Title 24 compliant (JA8-2016-E).

## DIMMER COMPATIBILITY CHART

For Reference Only

Manufacturer	Product	Part Number	Number of Fixtures Per Dimmer*			
			Fixture Wattage			
			9W	12W	15W	33W
120V Only						
Lutron	DIVA® Series 600W Single Pole Dimmer	DV-600P	15	11	9	4
	DIVA® Series 600W 3-Way Dimmer	DV-603P	15	11	9	4
	MaestroÂ® Series 150W Single Pole/3-Way/ Multi-Location Dimmer	MACL-153M	15	11	9	4
Leviton	Decora SureSlide® Single Pole Slide-To-Off with Optional Locator Light	6631	15	11	9	4
	Decora SureSlide® Single Pole/3-Way with Present On/OFF Switch with Optional Locator Light	6633	15	11	9	4
	Decora SureSlide® Universal Dimmer	6674	15	11	9	4

\*NOTE: Refer to dimmer manufacturer's documentation for installation instructions and circuit details.

Disclaimer: Testing conducted by Step 1 Dezigns is not a substitute for and does not imply certification by an independent laboratory or any other standards certification. Refer to manufacturer specifications for more detailed information on product certifications and standards.

# LED Dimmable Ultra Slim Round Panel Light

## INSTALLATION INSTRUCTIONS:

**IMPORTANT :** Read all instructions before installing fixtures. Retain for future reference.

**SAFETY :** For your safety, this fixture must be wired in accordance to local electrical codes and ordinances. All work should be done by a qualified electrician.

**WARNING :** Make certain power is OFF from the electrical panel before starting installation or attempting any maintenance. Indoor installation only.

**TOOLS REQUIRED:**

- Saw
- Measuring Tape
- Electrical Wiring (use type and gauge suitable for application to connect the fixtures)

**PRE-INSTALLATION:**

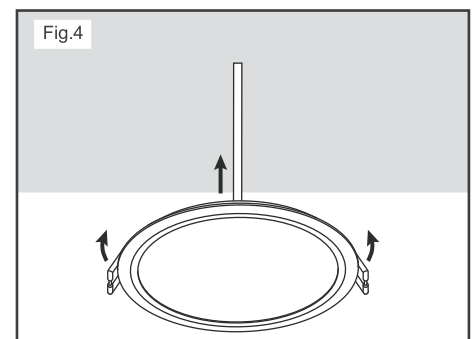
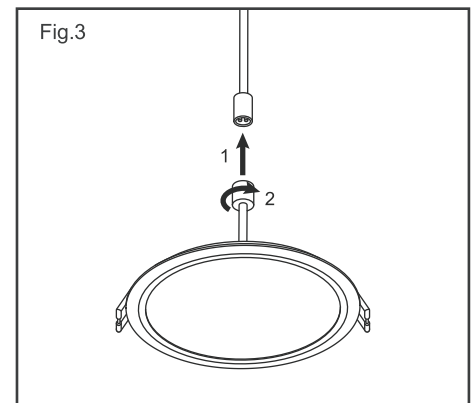
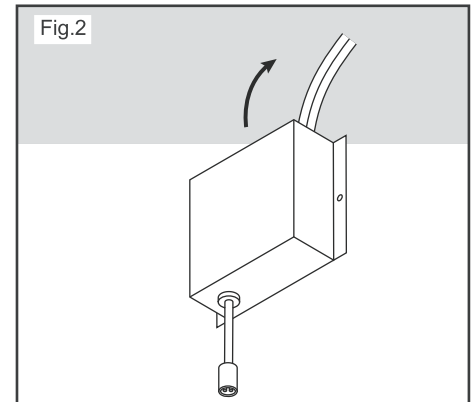
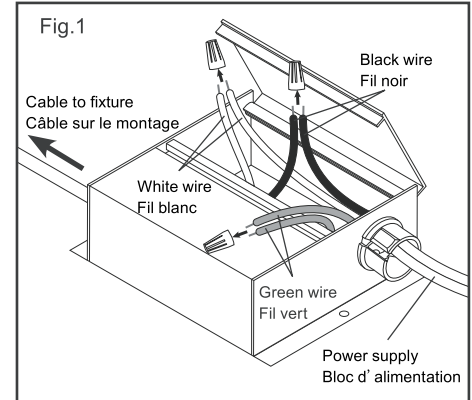
1. Turn power OFF from the electrical panel before starting installation.
2. Locate a suitable position to plate the fixture and open in accordance to the cut-hole dimensions (refer to Hole Cut Table for appropriate size).
3. Run electrical wire from the switch (power supply) through the mounting hole-use NMD90 Romex or BX cable.

**DRIVER WIRING:**

1. Open the hardware box swing cover and remove the appropriate knockout (s).
2. Insert the electrical supply cable through the knockout and secure with a cable connector (sold separately).
3. Using wire nuts, connect green ground wire of cable to green wire on box. Connect white wire of cable to white wire of box. Connect black wire of cable to black wire of box. (Fig.1)
4. Place all wiring and connections back in to the box and close the cover.
5. Insert hardware box through the mounting hole. (Fig.2)  
New construction applications: Hardwire box shall be firmly secured to studs, joists, or similar fixed structural units.  
Remodel applications: Do not require the hardwire box to be firmly secured after the mounting plates, studs, joists, or structural units have been concealed.

**FIXTURE INSTALLATION:**

1. Connect the fixture to the hardwire box by inserting and twisting the male/female connectors. (Fig.3)
2. Push spring loaded clips on the fixture upwards and insert fixture base in to the mounting hole. Release the clips and fixture will be pulled flush to the ceiling. (Fig.4)
3. Once assembly is complete, turn on power to confirm fixture is working properly.



Hole Cut Size:	
4"	Ø 4-1/4" (Ø108mm)
	Ø 4-1/8" (Ø105mm)
	Ø 4-1/4" * 4-1/4" (Ø108*108mm)
6"	Ø 6-1/4" (Ø158mm)
	Ø 6-1/8" (Ø155mm)
	Ø 6-1/4" * 6-1/4" (Ø158*158mm)
	Ø 7-3/4" (Ø210mm)

