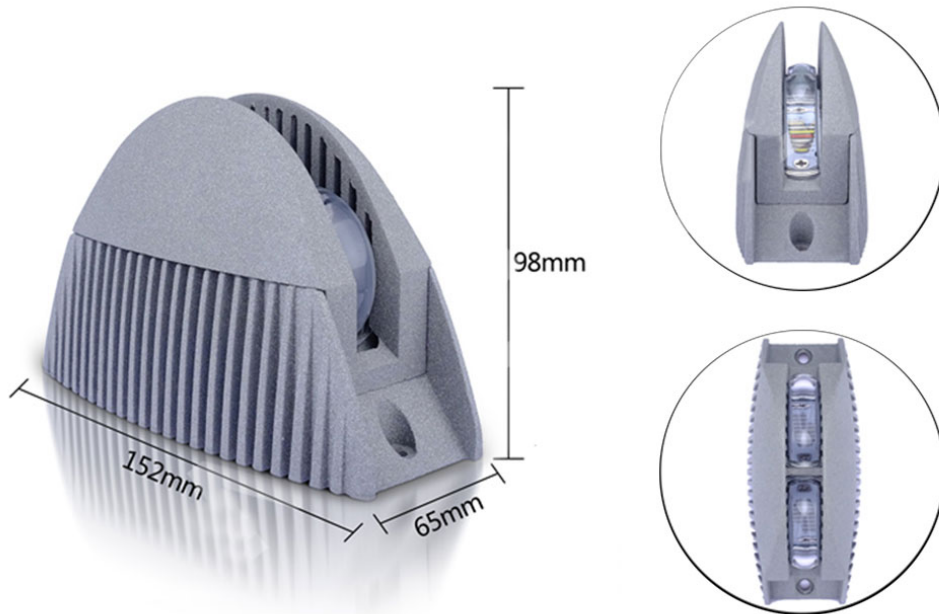


LED window light is a new type of optical design decorative lighting. It is mainly used to highlight buildings on the sill of windows and glass curtain walls, also it can also be used in tunnels, culverts or door openings to highlight its outline. In addition, it can also be used in interior hallways and aisles to highlight its new visual effects. Each light can be designed for single color or DMX512 control to create different effects.

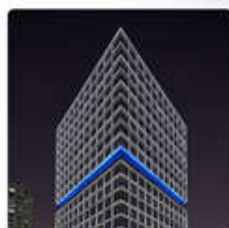
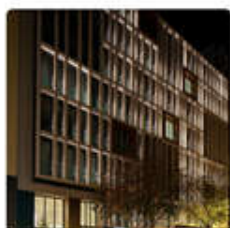
Model: -7hPRhC/  
 E E -7hPRh//  
 E E -7hPRhH(R)

<b>LED Light Source</b>	CREE	<b>Wattage</b>	8W
<b>Input Voltage Range</b>	24V DC	<b>Life Span</b>	50000Hrs
<b>Operating Temp.</b>	-20~45°C	<b>Surface Color</b>	Silver
<b>IP Rating</b>	IP65	<b>Angle</b>	180°
<b>Material</b>	Aluminum+PMMA	<b>7-KEColor</b>	CW RGB
<b>Fixture Weight</b>	780g	<b>Control</b>	Switch/DMX512



**Suitable application**

- Indoor
- Cold stores
- Hotel
- Home
- Luxurious villa
- Corridor
- Luxury apartment
- Window
- Wall
- Passage
- Scene
- Gallery



**Instruction:**

**A. Function**

Seven color chasing, seven color fading, seven color flashing, master/slave mode

**B. Control mode**

Independent mode: choose the effects that you need by pressing the buttons on the back of light;

DMX mode: International standard DMX512 signal control (3XLR)

**C. Instruction of buttons**

**E-1. Set up DMX address**

When the digital LED is not flashing, press “A”, digital LED begin to flash, press “A” once, active digital LEDs moves backward, you can start to edit the second digital LED; Press “B”, the corresponding flash digital LED increase one bit (the values between 0 to 9) ;

\*\*\* Range of valid address:001~512



**E-2. Adjustment and selection of function for independent mode**

After pressing “A” four times (the first three times is the setup on DMX address), light enter into independent mode; the digital LEDs shows **PXY**, press A once, active digital LEDs moves backward, you can choose function via **X** and parameter via **Y**; Press “B”, the corresponding flash digital LED increase one bit (the values between 0 to 9) ; **X** refer to functions (the value between 1 to A), **Y** refer to value of speed and gray degree for the functions (the value between 1 to A)

Function and parameter form:



X value	Y value(range and function)
0-Black out	Null
1-single red	1~9 class gray degree
2- single green	1~9 class gray degree
3- single yellow	1~9 class gray degree
4-single blue	1~9 class gray degree
5-single purple	1~9 class gray degree
6- single cyan	1~9 class gray degree
7- single white	1~9 class gray degree
8-multicolorjumping	1~9 class speed
9-multicolor fading	1~9 class speed
A-multicolorflashing	1~9 class flash speed

**E-3.** When pressing button, please wait for about 10 second, then you can exit the mode of adjustment function, the digital LED stop flashing and to memorize the selected parameters.

**D. Using instruction**

F-1. Independent mode, you can adjust the preset functions of light by button on the side cap;

F-2. DMX mode, use DMX console to control the light, referring to the manual of the relevant DMX console for further information.

F-3. Master/slave mode, please choose any one light as the master to attaining auto online function, the operations are as below: firstly, set the address of master as 001, others are set as slave(address can be any one except 001); Change function of the master (001) light, then all lights will work synchronously;

F-4. Each light occupies three DMX channels, which is red, green, blue. For example, light with DMX address 001 occupies the channel 1,2 and 3, light with DMX address 256 occupies the channel 256,257 and 258;

F-5. Do not plug them into power when the product is still in package;

F-6. Don't use anything to cover this lighting;

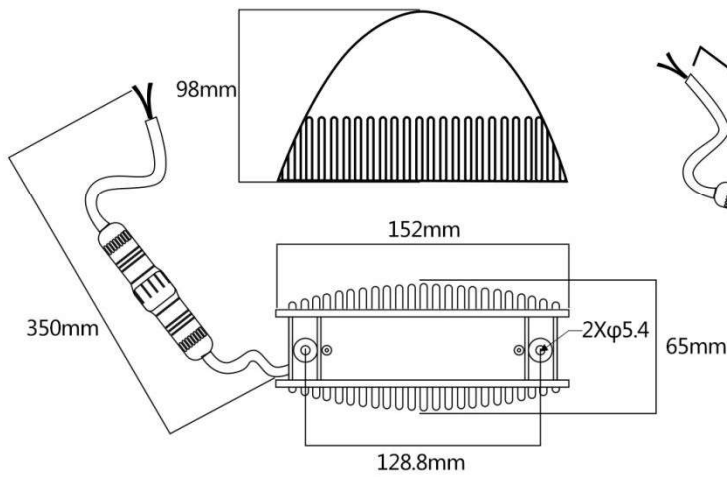
F-7. Don't use this product in close environment;

F-8. If this product appears to be damaged, do not attempt any operation, please contact your dealer.

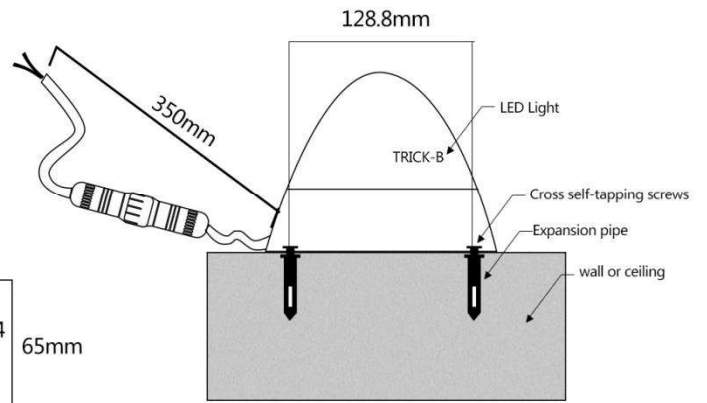
F-9. The installation of a product must be completed before the power plug inserts. Please let technicians disassemble the lights for fixing and repairing.

## Installation:

### Product Dimension



### Installation



Installation instruction

