

RGBW LED ROTARY KNOB CONTROLLER

SPECIFICATION SHEET

EL-R-RGBW-12-24



Description:

The RGBW LED Rotary Knob Controller with Remote is easy to install and use. It is designed perfectly for Step 1 Dezigns RGB or RGBW LED tape lights, led modules, etc.

This 4 rotary knobs RGBW LED controller can be used to control up to 4 channels of RGBW or RGB LED tape lights, LED modules, or 12V DC - 24V DC constant voltage lights. The digital displays on top of each rotary knob lets you see the 0-255 dimming output levels of RGBW output levels. With all the features available on this controller you can create up to 4 trillion various color hues and fine tune to the LED colors desired. It has 37 built-in color-changing effects with brightness and speed controls by using the included wireless RF remote controller. Each of the 4 color RGBW can control up to 5 amps of LED lights, or 120 watts using 24V DC, 60 watts using 12V DC. Multiply it over the 4 channels and you can control up to 480 watts max at 24V DC or 240 watts max at 12V DC.

Applications:

Exhibit & Display, Commercial, or Residential Lighting Control

37 changing modes

Static red	255	000	000	000
Static green	000	255	000	000
Static blue	000	000	255	000
Static white	000	000	000	255
Dynamic mode	000	000	000	000

Mode 4 Speed level 10 Brightness level 6

Dimming Rotary
4 dimming rotary knobs, can DIY your favorite color

LED Digital Tube
The LED digital tube indicates current mode, speed and brightness, very straightforward.

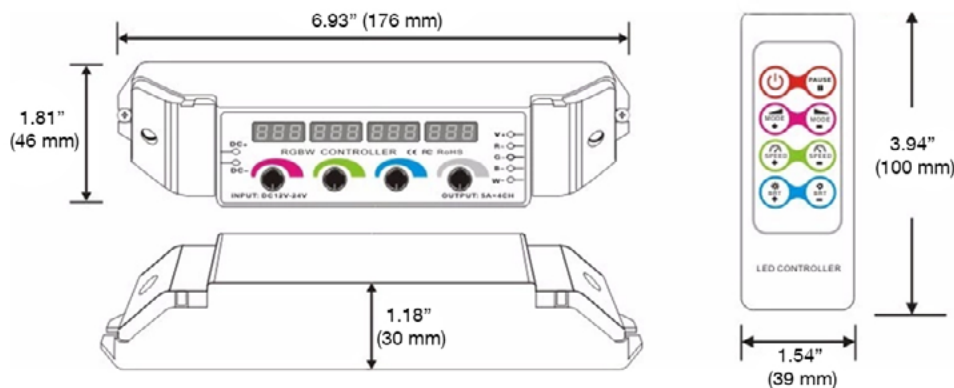
RF Remote
Save your DIY color Automatically, can be adjusted by remote control

Green Products
Environmental Protection, Over current protection and short circuit protection

Specification:

- Input:** 12V DC - 24V DC
- Output:** 5 Amp x 4 Channels
- Input Connection:** 2 Wire (Positive + / Negative -)
- Output Connection:** 5 Wire RGBW(Positive+)
- Max Load:** 12V DC - 240 Watts
24V DC - 480 Watts
- Dimension:** 6.9" L x 1.8" W x 1.2" H
- Operating Temp.:** -4° F ~ 140° F
- Environment:** Dry Location IP20
- Control Range:** RF Remote Control Radius up to 90 feet (line of sight)

- Previous Mode on Power Cycle:** Yes
- Static Colors Choices:** 4 trillion +
- Color Changing Modes:** 37 Modes
- Labels and Listings:** CE, FCC, RoHS



Wiring Diagram:

