

Product Description

Elumalight LED UFO Highbay Light use best die-casting aluminum housing, anti-corrosion painting design. High-performance Replace 200-900W MH/HPS.

Advantage

- UL Listed.
- Input voltage 100-277VAC.
- No UV or IR in the beam.
- Easy to install and operate.
- Energy saving, long lifespan.
- Light is soft and uniform, safe to eyes.
- Instant start, NO flickering, NO humming.
- Green and eco-friendly without mercury.
- Output constant current lever can be adjusted through output cable with 1-10V.

*The product cannot be connected to a dimming device when it's equipped with Motion Sensor.



Applications

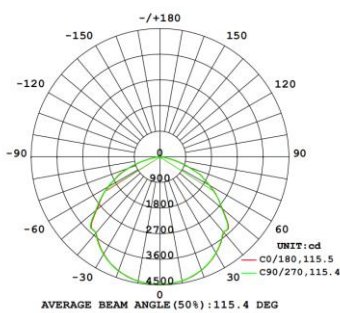
Warehouse, factory and workshops; Exhibition hall and supermarkets, etc



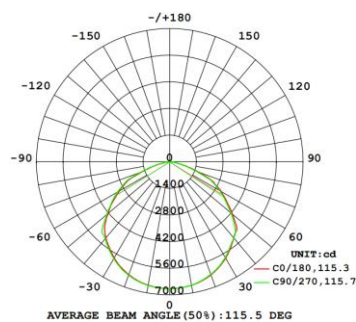
Specifications

SKU	EL-UFOHB-100-XXK	EL-UFOHB-150-XXK	EL-UFOHB-200-XXK	EL-UFOHB-240-XXK
Input Power	100W	150W	200W	240W
Lumen	13000-15000LM	19500-22500LM	26000-30000LM	31200-36000LM
Lumen Efficacy	130lm/W			
Color Temperature	4000K, 5000K			
CRI	>80			
Viewing Angle	110°			
Input Voltage	AC 100-277V			
PF	≥0.9			
THD	≤20%			
Driver Brand	Elumalight			
LED Brand	Elumalight			
LED Type	2835			
LED QTY	320Pcs	440Pcs	600Pcs	720Pcs
Housing	Aluminum Alloy			
Housing Color	Black			
Environment Location	Wet Location			
Operating Temperature	-40°F TO 122°F			
Operating Humidity	20%-90% RH			
Storage Temperature	-40°F TO 158°F			
Storage Humidity	10%-95% RH			
Warranty Time	5 Years Limited			

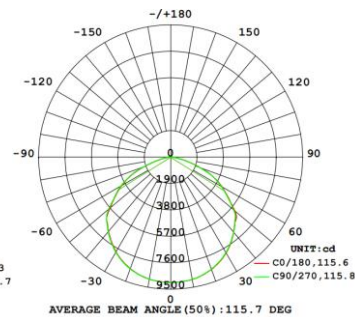
Photometrics



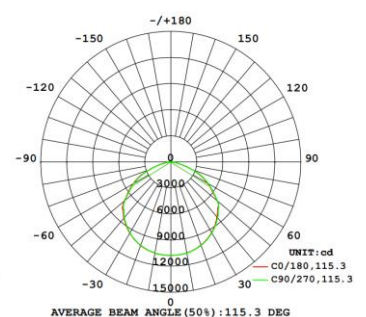
100W



150W



200W



240W

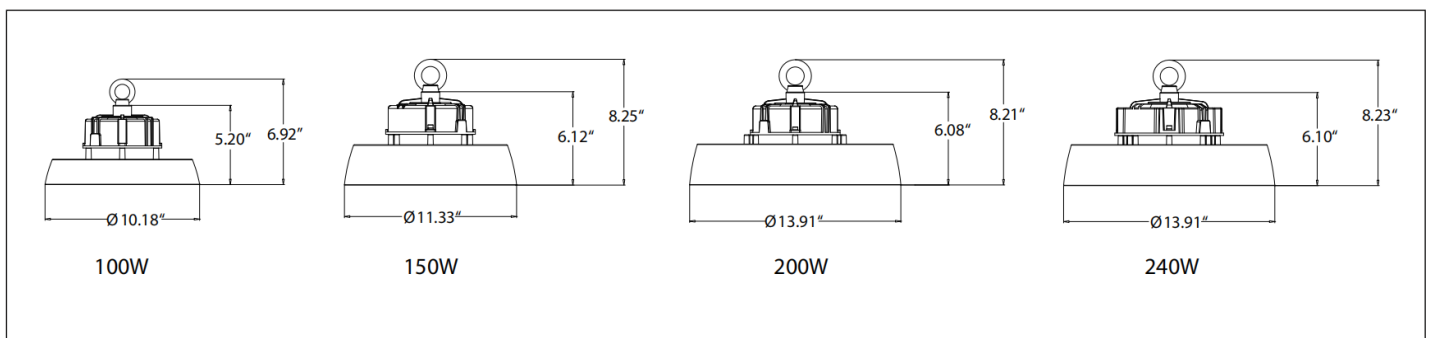
Projected LED Lumen Maintenance

Operating hours	0	25000	50000
Lumen maintenance factor	1	0.91	0.8

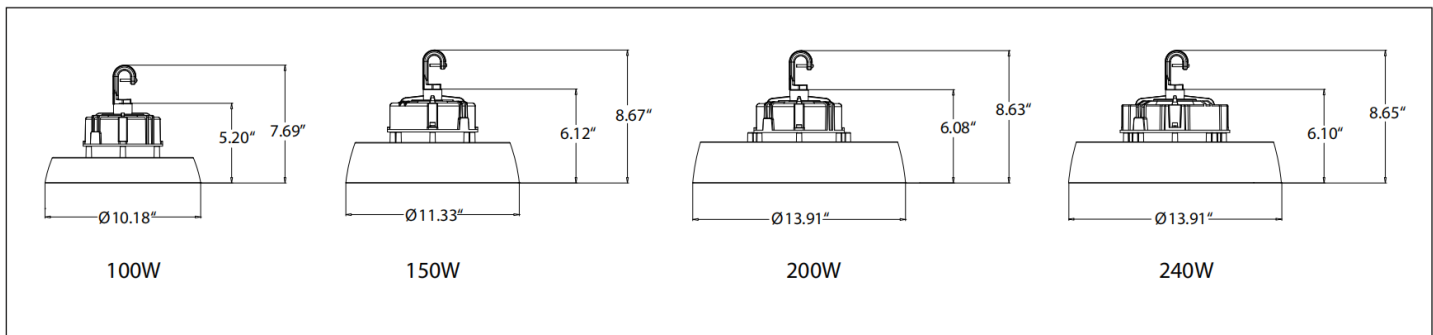
Data references the extrapolated performance projections for the Elumalight UFO Highbay LED platform in a 25°C ambient, based on 10,000 hours of LED testing (tested per IESNA LM-80-08 and projected per IESNA TM-21-11).

Dimensions

1. Rings type:



2. Hook type:



Packing information

Power	Outer box L*W*H	Qty/ctn (pcs)	N. W./Ctn (LBS)	G. W./ctn (lbs)
100W	12.40" x 12.40" x 7.87" 315*315*200mm	1	5.7	7.5
150W	13.58" x 13.58" x 8.66" 345*345*200mm	1	8.0	9.9
200W	16.34" x 16.34" x 8.46" 415*415*215mm	1	9.9	12.3
240W	16.34" x 16.34" x 8.46" 415*415*215mm	1	10.9	13.3

Features

1.



Radiator adopts ADC12 aluminum integrated die-casting molding, which has small thermal resistance. The center of the lamp is designed with a unique convection hole to form a chimney convection heat dissipation, which can make the lamps get a better cooling effect in harsh environments.

2.

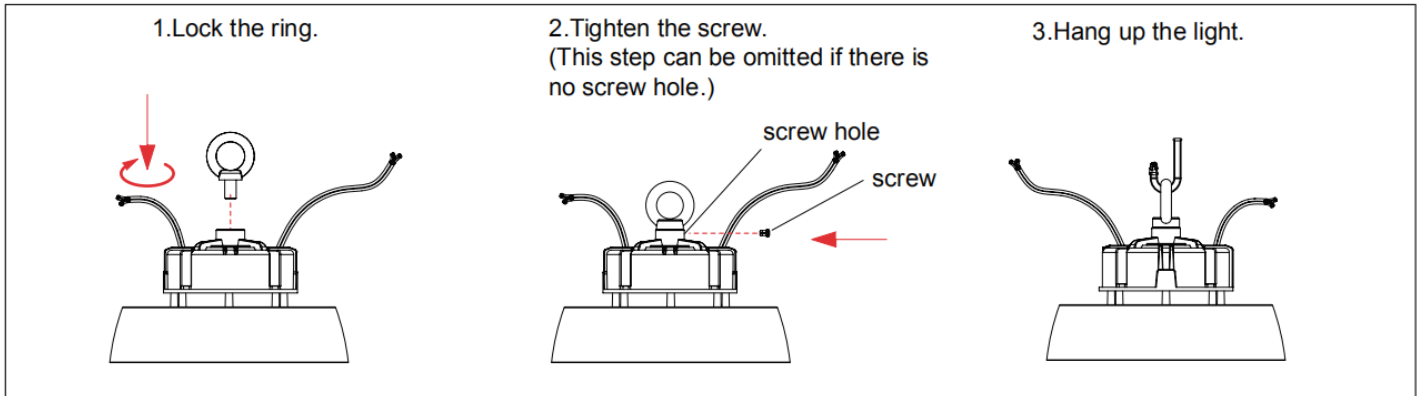


Both 60° and 90° ring lens can be used.

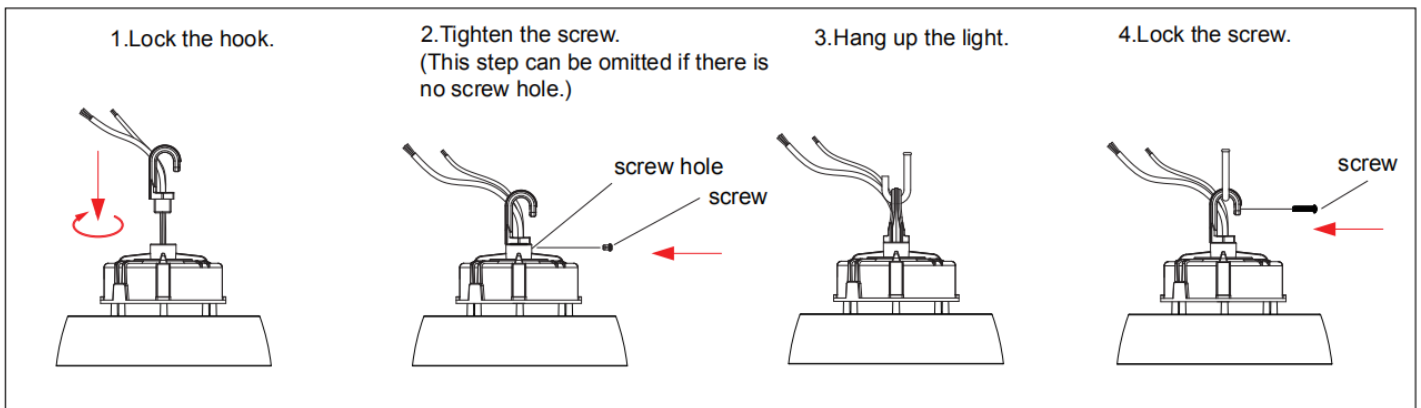
The microwave sensor is placed in the center of the lamp. It is easy to install and has a simple appearance.

Installation instruction

1. Rings type:



2. Hook type:



Notice for User

Please turn off power before install or change assembly parts.

The input voltage and lamps should be matched, after connecting the power line,

Please make sure the wiring section is insulated.

Professional installation required.

After-sale Service

The product refers to electrical experience & knowledge. Please don't disassemble it by yourself.