

# LED NON-DIMMABLE CONSTANT CURRENT DRIVERS

## SPECIFICATION SHEET



**STDC/3A**



**STDC/4B**



**STDC/6A**



**STDC/6B**



**STDC/12A**



**STDC/9B**



**STDC/9C**



**STDC/18B**

### Description:

The Non Dimmable constant current LED drivers will power your LED lighting fixtures and it has overload, short circuit, and overheat protection.

### Applications:

Trade Shows, Display & Exhibit, Commercial, Residential

### Features:

- Energy Efficient
- Easy Installation
- Over Load Protection
- Over Temperature Protection
- Short Circuit Protection

### Specification:

**Constant Current:** 350mA, 500mA, 700mA  
**Dimmable:** No  
**Operating Temp.:** -20°C ~ +50°C  
**Power Method:** Hardwire  
**Environment:** Dry Location IP20  
**Lifespan:** ± 30,000 - 50,000 hours  
**Cast Style:** Polycarbonate  
**Finish:** White

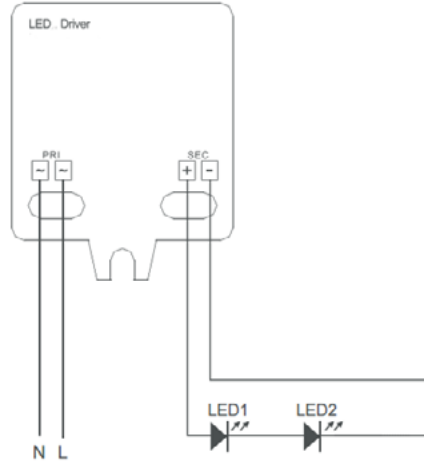
ITEM SKU	WATTAGE	OUTPUT VOLTAGE	INPUT VOLTAGE	Constant Current	DIMENSIONS
STDC/3A	1-3W	3-9V DC	100-240V AC	350mA	1.63" L x 1.5" W x 0.75" H
STDC/6A	1-6W	3-18V DC	100-240V AC	350mA	5.71" L x 0.82" W x 0.75" H
STDC/12A	1-12W	18-36V DC	100-240V AC	350mA	6" L x 1.5" W x 1.19" H
STDC/9C	3.25-9W	6.5-18V DC	100-277V AC	500mA	2.36" L x 1.57" W x 0.94" H
STDC/4B	3-4W	4-5V DC	100-240V AC	700mA	2.5" L x 1.5" W x 0.56" H
STDC/6B	3-6W	4-10V DC	100-120V AC	700mA	3.25" L x 1.5" W x 0.88" H
STDC/9B	2.8-9.1W	4-13V DC	100-280V AC	700mA	4" L x 1.5" W x 1.19" H
STDC/18B	3-18W	4-27V DC	100-240V AC	700mA	4" L x 2.5" W x 1.19" H



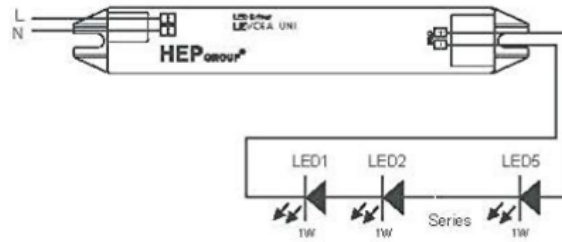
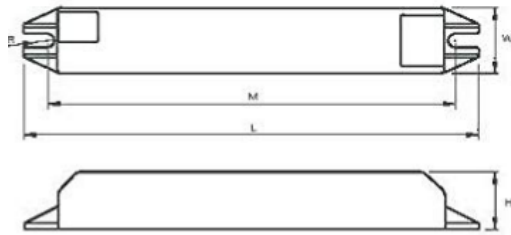
# HEP LED CONSTANT CURRENT DRIVERS

Diagrams

## STDC/3A

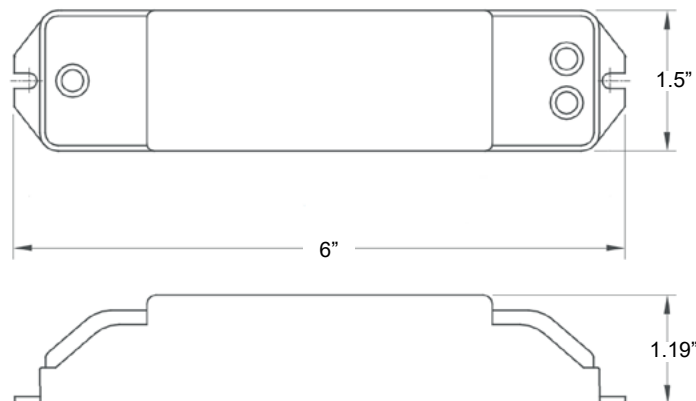


## STDC/6A



- L : 145.5 mm    H : 19 mm
- M : 130.3 mm    K :
- N :                R : 2.2 mm
- W : 21 mm        Slot On One Side Allowing Alignment : M+/-3 mm
- Tolerance :  $\geq 0 \sim 100 \geq +/ -0.5\text{mm}$
- $100 \geq +/ -1 \text{ mm}$
- Terminal Block : Push Button and Quick Connect
- Housing Material : Polycarbonate
- Soldering : Lead - Free, Comply With RoHS
- Label : Surface Print

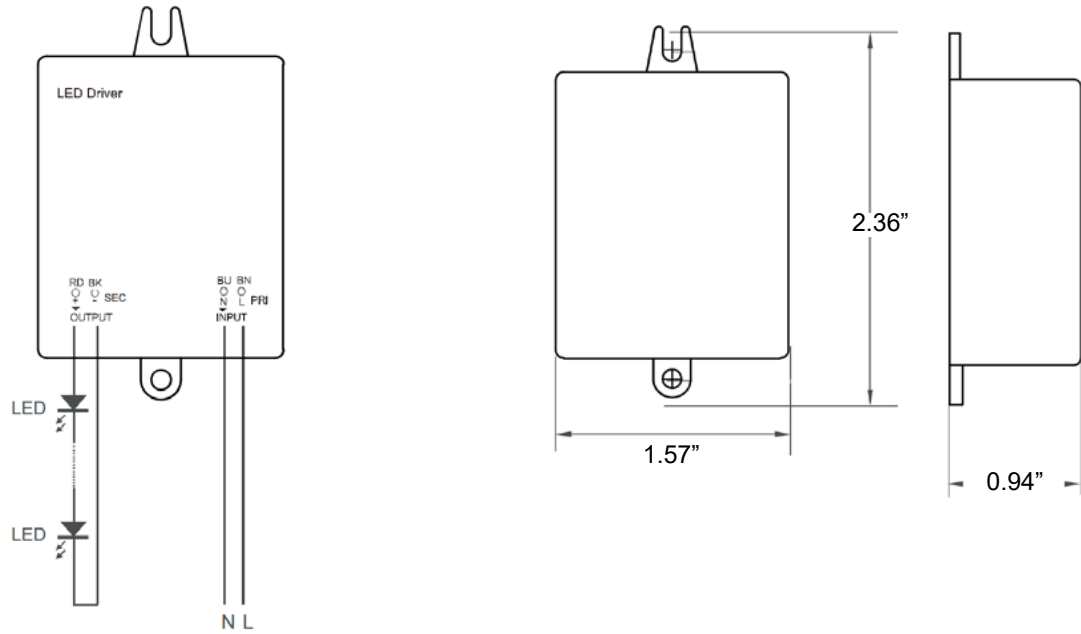
## STDC/12A



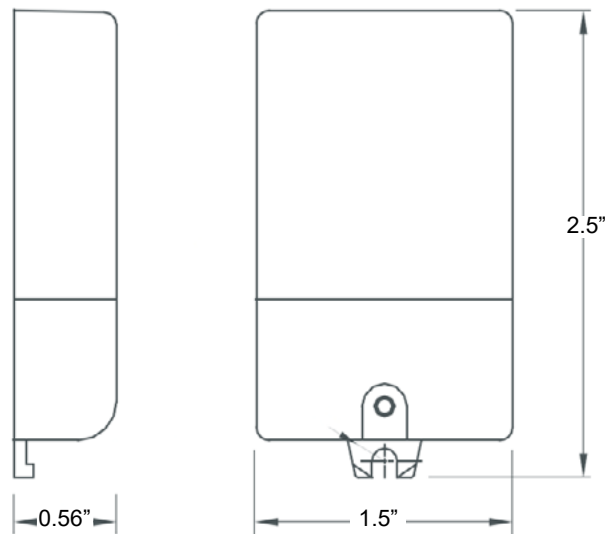
# HEP LED CONSTANT CURRENT DRIVERS

Diagrams

**STDC/9C**



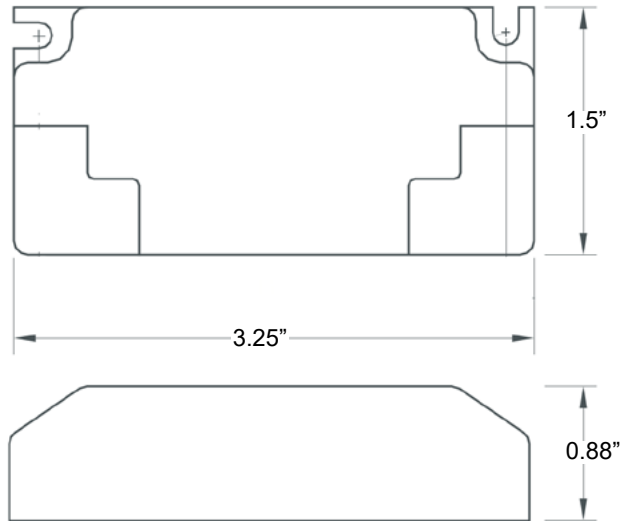
**STDC/4B**



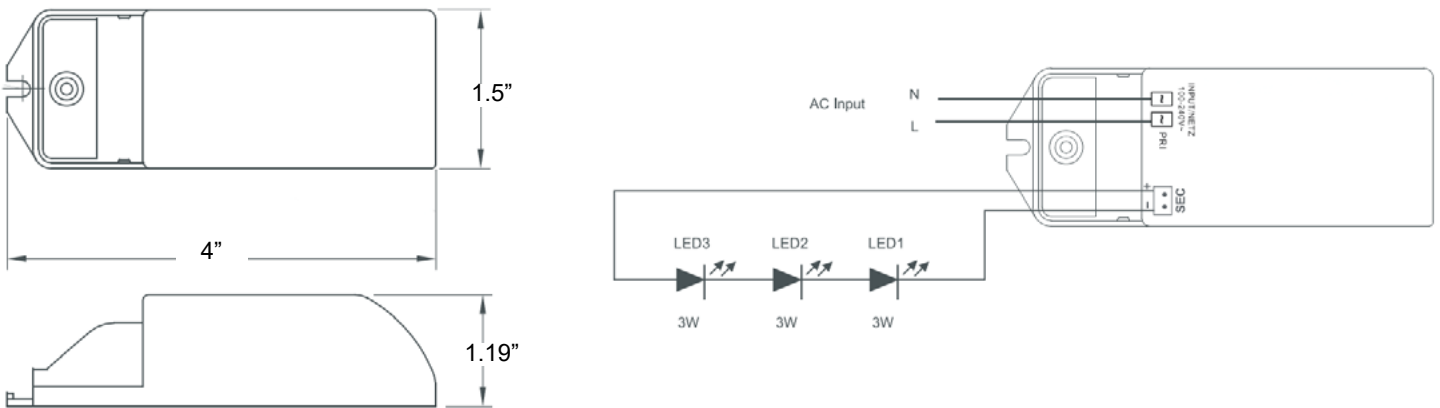
# HEP LED CONSTANT CURRENT DRIVERS

Diagrams

**STDC/6B**



**STDC/9B**



# HEP LED CONSTANT CURRENT DRIVERS

Diagrams

**STDC/18B**

