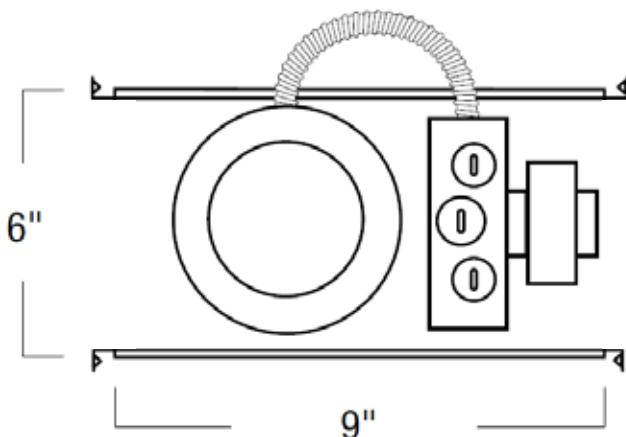
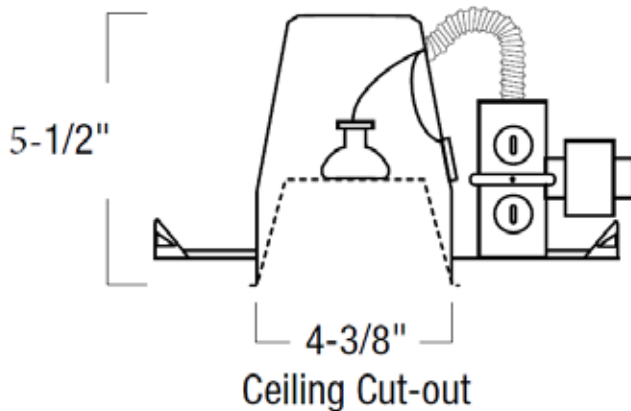


## SPEC SHEET

### 4" Low Voltage New Construction Housing

- Energy Efficient
- Easy to Install
- High Quality



### ST-EL1499

#### Description

The 4" Low Voltage New Construction Housings provides crisp, defined illumination to any application. It is for use in commercial or residential non-insulated ceilings, where insulation can be kept 3" from fixtures. Rated for use with a low voltage MR16 lamp. A wide variety of attractive adjustable trims allows fine-tuned aiming of directional light sources.

#### Specifics:

**Clearance:** Non-IC housings require a minimum clearance of 3" from thermal insulation and 1/2" from adjacent building components.

**Socket:** Low voltage bi-pin socket with heat shield.

**Bar Hangers:** Two 13-3/4" to 24-1/2" adjustable bar hangers with captive nails are included on frame. Bar hangers are parallel to junction box, but can be repositioned 90° perpendicular to junction box if desired. "L" Shaped bar hanger foot to align to bottom of construction joist. A T-Bar notch allow for easy installation in a suspended ceiling.

**Junction Box:** Pre-wired 25 cubic inch 0.060" thick galvanized steel, with seven 1/2" knockouts.

**Lamp:** 20W-75W 12V MR16 (sold separately)

**Transformer:** Magnetic - Thermally protected, single tap input voltage available in 120V 60Hz 50 Watt

**Dimmable:** Use magnetic low voltage dimming control with magnetic transformer or electronic low voltage dimming control with electronic transformer.

**Labels & Listing:**

- cULus Listed for Damp Location w/ Feed Through.
- cULus Wet Listed (Only with designated trims).
- Meets or exceeds ASTM-283 Air-Tight Requirements (Air-Tight Housings only).
- Washington State Approved (Air-Tight Housings only).
- CA Title 24 Compliant

**Size:** 9" L x 6" W x 5.5" H

