

K-Telescope Cable Lighting Fixture



k-telescope head

DESCRIPTION

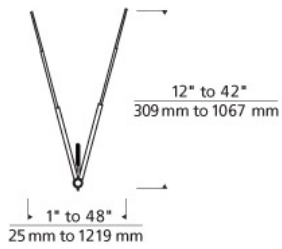
Arms telescope individually from 12 to 42", creating unlimited angles. For cable separations of 1" to 48". Head rotates 330° and has swivel and pivot action to direct the beam. Low Voltage, MR16 lamp of up to 75 watts, (not included). For Cable Light system only.

ACCESSORIES & OPTICAL CONTROLS

Backlight Shield, Barndoors, Cone Glass Shield, Flight Paper, Lil Egypt Shade, Lil Wok Shade, Louver Lens Holder, Round Glass Shield, Snap Louver Lens Holder

WEIGHT

0.25lb / 0.11kg ±



PRODUCT INFORMATION

ST-KTEL16 FINISH

- C CHROME
- S SATIN NICKEL



Installation Instructions for K-Telescope Cable Lighting Fixture

GENERAL PRODUCT INFORMATION:

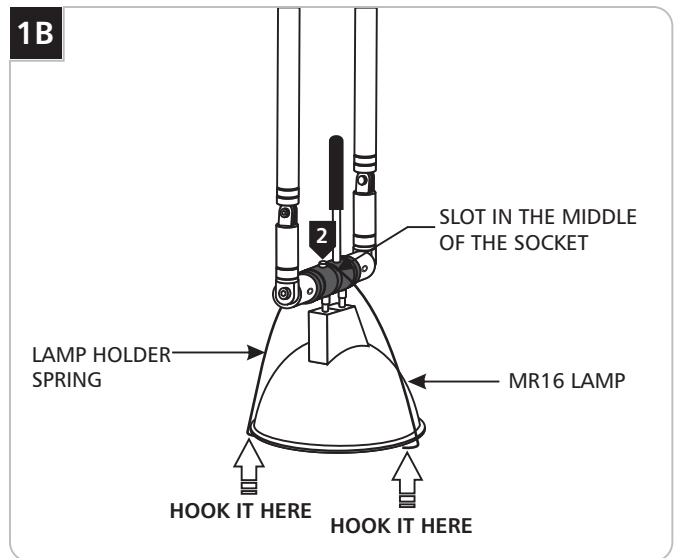
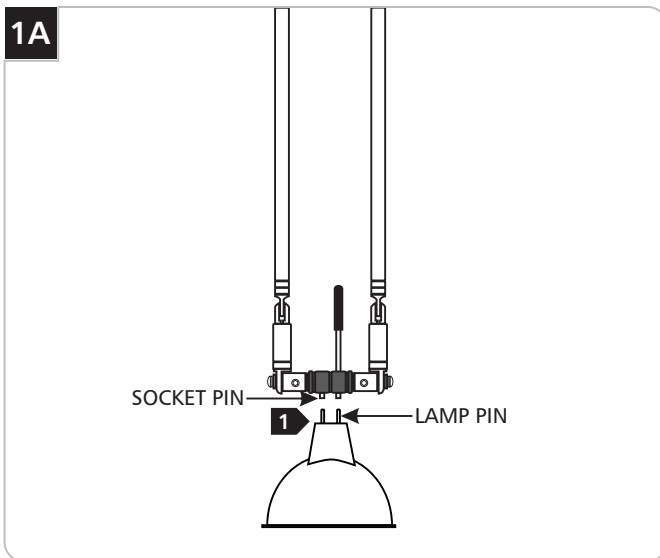


This product is suitable for indoor dry locations only.

Wild Thing, Sun Louver Lens Holder, Flight Paper, MR16 Snout, Round Glass Shield, Cone Glass Shield, Lil Egypt, Lil Wok, Barndoors, Snap Barndoors, Backlight Shield, Louver Lens Holder, Snap Louver Lens Holder, Eggcrate Louver, Glass Lens.



Installing the Lamp



CAUTION: To reduce the risk of a burn or electric shock during relamping, disconnect the power to the fixture.

NOTE: Use only your fingers and a soft cloth to replace the lamp.

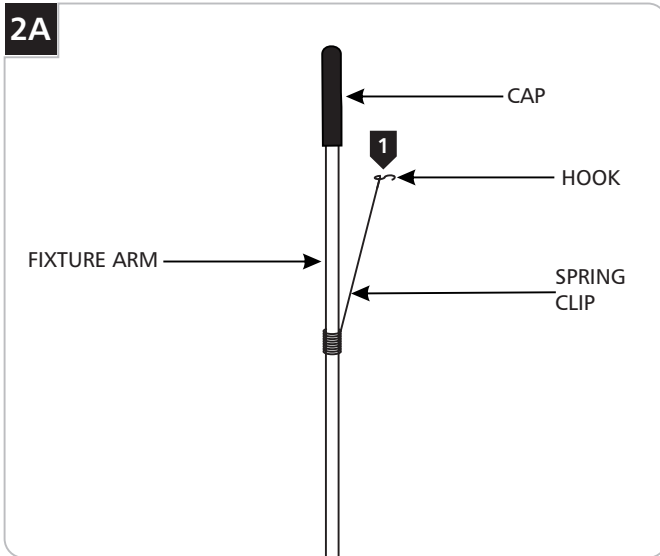
Use **MAX 75 Watt, MR16 Front Cover Halogen Lamp.**



- 1 Push the MR16 lamp pins all the way into the socket pins.

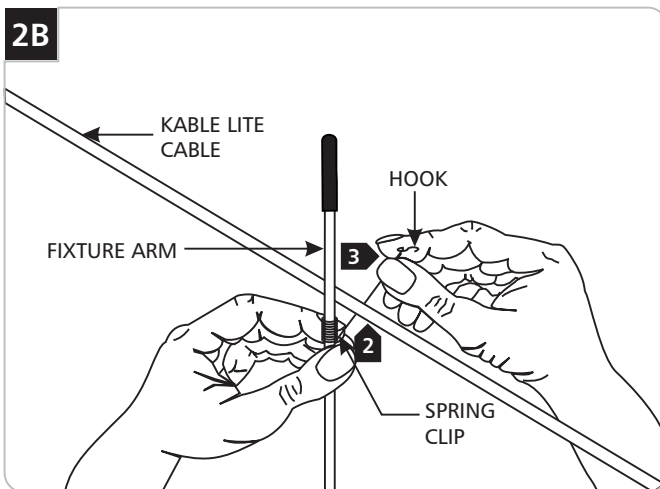
- 2 Hook one end of the lamp holder spring (provided with the package) onto front of the lamp. Wrap the spring over the slot in the middle of the socket and hook the other end onto front of the lamp.

Installing Telescope by Using Spring Clips



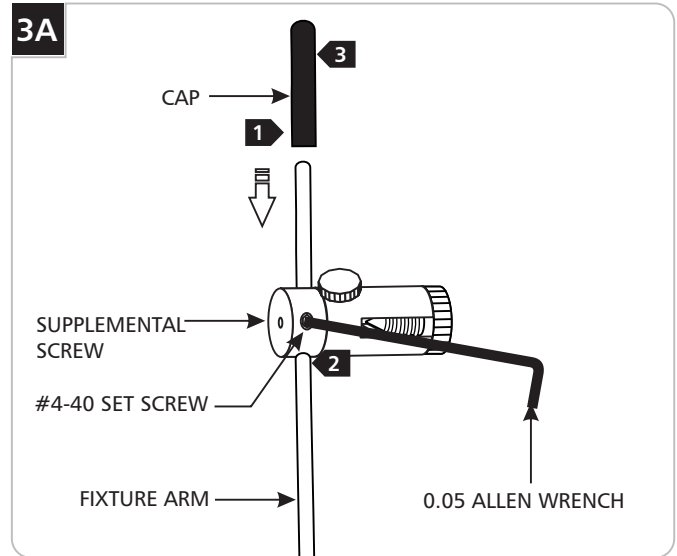
NOTE: Use this installation only when bare (uninsulated) Kable Lite cables are used.

- 1 Unsnap the spring clip from the fixture arms.



- 2 Wrap the spring clip around the Kable Lite cable.
- 3 Snap the tip of the hook onto the fixture arm.
- 4 Repeat steps 2 and 3 for the other arm.

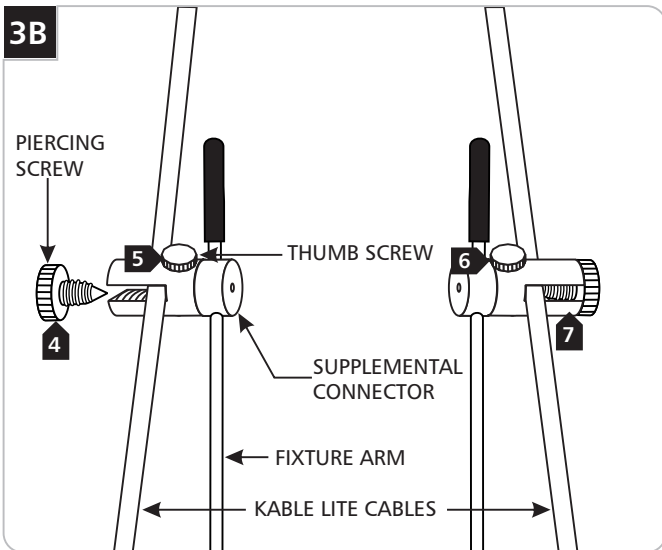
Installing Telescope by Using Fixture Connectors



NOTE: Use this installation for both bare and insulated Kable Lite cables.

- 1 Remove the caps and spring clips.
- 2 Push the supplemental connectors (attached to the fixture connectors - provided with the package) onto the fixture arms and tighten the #4-40 set screw with the 0.05 Allen wrench.
- 3 Replace the caps.

3B



- 4** Remove the piercing screw from the fixture connectors.
- 5** Adjust the fixture arm position on the Kable Lite cables by loosening the thumb screw on the supplemental connectors.
- 6** After fixture arm adjustment, retighten the thumb screws.
- 7** Push the fixture connectors one onto each Kable Lite cable. Replace and tighten the piercing screws into the fixture connectors.

IMPORTANT SAFETY INSTRUCTIONS

To reduce the risk of fire, electrical shock, exposure to excessive UV radiation, or injury to person:

- Use this fixture indoors only.
- Do not look directly at the lighted lamp.
- Do not remain in light if skin feels warm.
- Risk of fire: Use only the type of lamp and maximum wattage indicated in this instruction manual.
- Never cover the halogen lamp with anything other than a Step 1 DeZigns lamp shield and never place flammable material close to your fixture.
- Never turn the fixture on and off by connecting and disconnecting the halogen lamp.
- Do not touch the fixture shades or lamp shield while the fixture is on. These surfaces may be HOT.

Halogen Lamp General Information

- A new halogen lamp may smoke slightly when it is used for the first time. This is perfectly normal; the protective coating is simply being vaporized.

Two Tips For Prolonging Halogen Lamp Life

- First avoid touching the lamp with bare hands during installation. Any contaminant, even the oil from your hands can deteriorate the lamp. Rubbing alcohol can be used to remove any contaminant.
- Second, do not run the lamps at full power when you do not need to. However, if dimming the fixture for an extended period of time, occasionally bring the light up to full brightness for a few minutes to complete the halogen cycle.