

LED MR16 7W Bulb

SPECIFICATION SHEET

MR16LED-7W



Description:

The LED MR16 replacement bulbs can be used in track lighting, recessed, down-lighting, display lighting for exhibits, trade shows, museums, and retail display environments. 7 Watt LED Bulb is equivalent output of a 50 watt standard halogen. Available in 3k (warm white) or 5k (cool white) and a 40° beam spread. It is perfect for overhead lighting or use with any of our Low Voltage arm lights or under counter light fixtures with low heat and long life-span.

Applications:

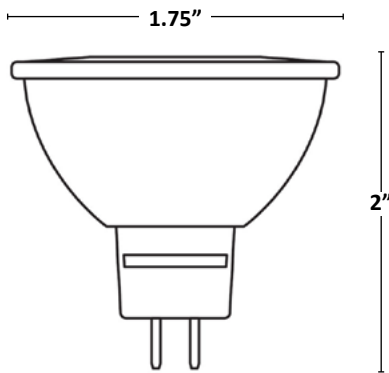
Exhibit & Display, Commercial, or Residential Lighting Control

Features:

- Silver back MR16 reflector
- Direct replacement for 50watt Halogen lamps
- Approved for enclosed fixtures
- Dimmable
- ENERGY STAR
- RoHS Compliant, UL & ETL Listed
- 5 Year Limited Warranty - 10 hour use per day

Specification:

Wattage:	6.5w
Voltage:	12V AC/DC
Color Temp.:	5000k Cool White or 3000k Warm White
Brightness:	500 Lumen
Beam Angle:	40°
CRI:	80+
Base:	GU5.3
Shape:	MR16
Dimmable:	Yes, with low voltage dimmer switch
Dimension:	1.75" MOL x 2" MOD
Operating Temp.:	-25C (-13F) to a maximum of +45C (+113F)
Lifespan:	± 30,000 - 50,000 hours
Environment:	Dry Location IP20
Mounting:	Plug-In
Warranty:	5 Year Limited*



MR16LED-7W-WW

MR16LED-7W-CW

