

SPEC SHEET

LED Swivel Kit 3 x 4 Watt

STDCKT133

- Recess mount design with a 15° swivels
- Energy Efficient
- Includes High Tension Mounting Clips for Easy Install
- Available in Warm White 3000k and Cool White 5000k
- UL & ETL Listed

Description

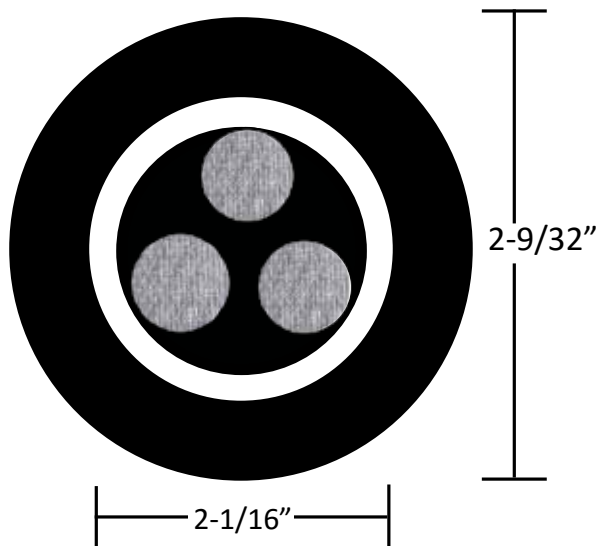
Our newest LED Swivel Kit 3 x 4 Watt is one of our most powerful and efficient recessed fixture yet. The Kit is a fully recessed LED light that adds brightness, focused illumination to any space. By means of a dimmable driver, this LED Recessed fixture is fully dimmable (drivers sold separately). STDCKT133 fits into walls, ceilings, cabinetry, under counter tops, bars, display cases, home entertainment centers, and retail window displays.

The LED Swivel fixture is made of cast aluminum, and features an adjustable gimbal design for directed lighting. The Kit includes Three High Output Swivel Fixtures, One 3-Way Connection Block and One 12 Watt/350mA LED Driver. Power cord is sold separately.



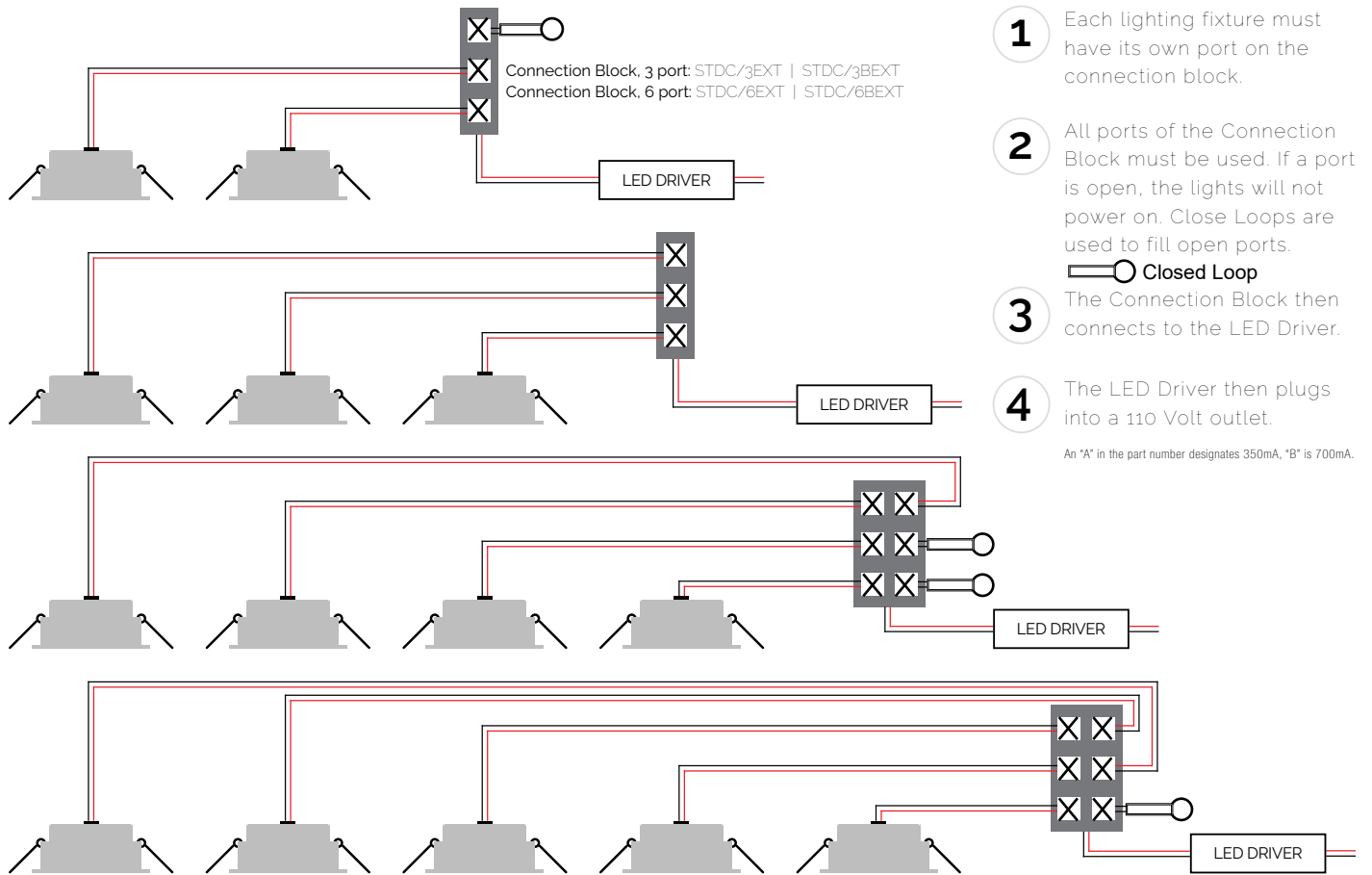
Specifics:

- Output:** 4 Watts/350mA per fixture
- Lumens:** 300 per fixture
- Beam Angle:** 15° - 40°
- Dimensions:** 2-9/32" O.D. x 1-3/64" H
- Cut-out:** 2-1/16"
- Lens:** Clear acrylic
- Finish:** Satin Nickel
- Lifespan:** ± 30,000 - 50,000 hours



Wiring Diagram:

APPLIES TO RECESSED LIGHTING USING 350MA and 700MA DRIVERS



APPLIES IF DISTANCE BETWEEN FIXTURES IS GREATER THAN 6FT

