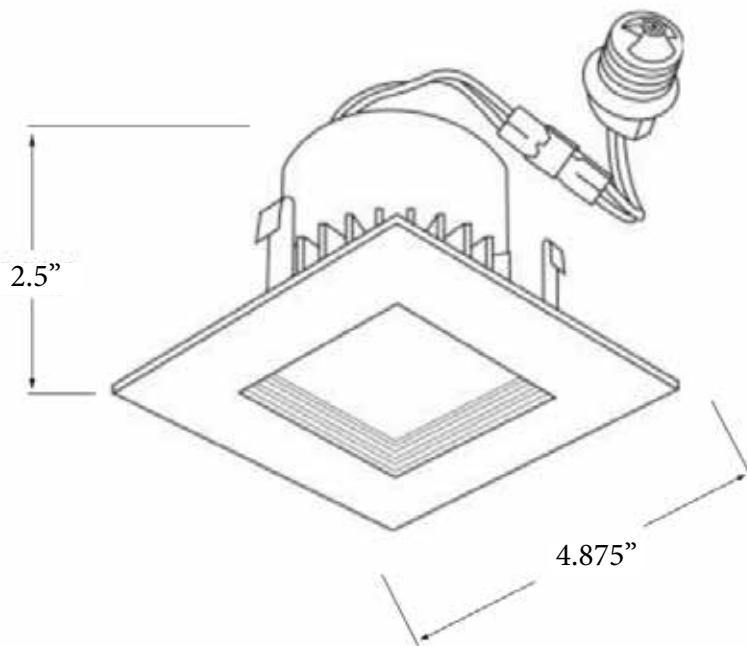


## SPEC SHEET

### 4" LED Square Baffle Insert

- Modern Design
- Energy Efficient
- Easy to Install



### ST44130W

#### Description

Energy efficient LED Square Baffle Insert suitable for use in fixtures installed in insulated ceilings.

#### Specifics

<b>Wattage:</b>	10w
<b>Voltage:</b>	120v AC
<b>Color Temp.:</b>	3000k Warm White
<b>Brightness:</b>	700 Lumens
<b>Beam Angle:</b>	90°
<b>CRI:</b>	90+
<b>Dimmable:</b>	Yes, with compatible dimmer
<b>Size:</b>	4.875" L x 4.875" W x 2.5" H
<b>Lifespan:</b>	± 30,000 - 50,000 hours
<b>Mounting:</b>	- Suitable for use in fixtures installed in insulated ceilings. - Suitable for installation in tall and shallow cans. - Suitable for new construction and remodel housings. - Suitable for installation into a 4" recessed fixtures with 2-wire connector. - Suitable for installation into a 4" recessed fixtures with medium base socket, using adaptor (included).
<b>Finish:</b>	White or Bronze
<b>Labels:</b>	- Energy Star Listed - cULus Wet Listed - CEC Title 24 Listed - Meets ASTM-E283 Air Tight requirements
<b>Warranty:</b>	5 Year Limited Warranty

