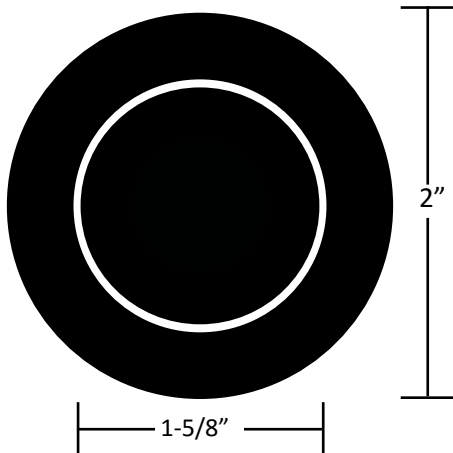


## SPEC SHEET

### LED 1.2 Watt Swivel

**STDCKT141/1**

- Energy Efficient
- Easy to Install
- Available in Warm White 3000k and Cool White 5000k



### Description

The 1.2 Watt recessed LED Swivel fixture is equivalent to a 50 Watt MR-16 halogen but without the heat and UV effects. Direct down light. Includes high-tension mounting clips and 19" cord and plug for easy "Plug and Play" install. Plug up to six light fixtures using our convenient connection blocks, fasten lead from connection block into power supply for a virtually labor free set-up.

### Specifics:

<b>Output:</b>	1.2 Watts/350mA per fixture
<b>Color Temp.:</b>	Cool White 5k or Warm White 3k
<b>Brightness:</b>	175 Lumens per fixture
<b>Beam Angle:</b>	15°
<b>Size:</b>	2" O.D. x 1-5/8" H.
<b>Cut-out Size:</b>	1-5/8"
<b>Finish:</b>	Silver
<b>Dimmable:</b>	Yes, with Dimmable LED Driver
<b>Lifespan:</b>	± 30,000 - 50,000 hours
<b>Mounting:</b>	Recessed
<b>Environment:</b>	Suitable for Indoor Dry Location
<b>Power Supply:</b>	Use 350mA LED Drivers

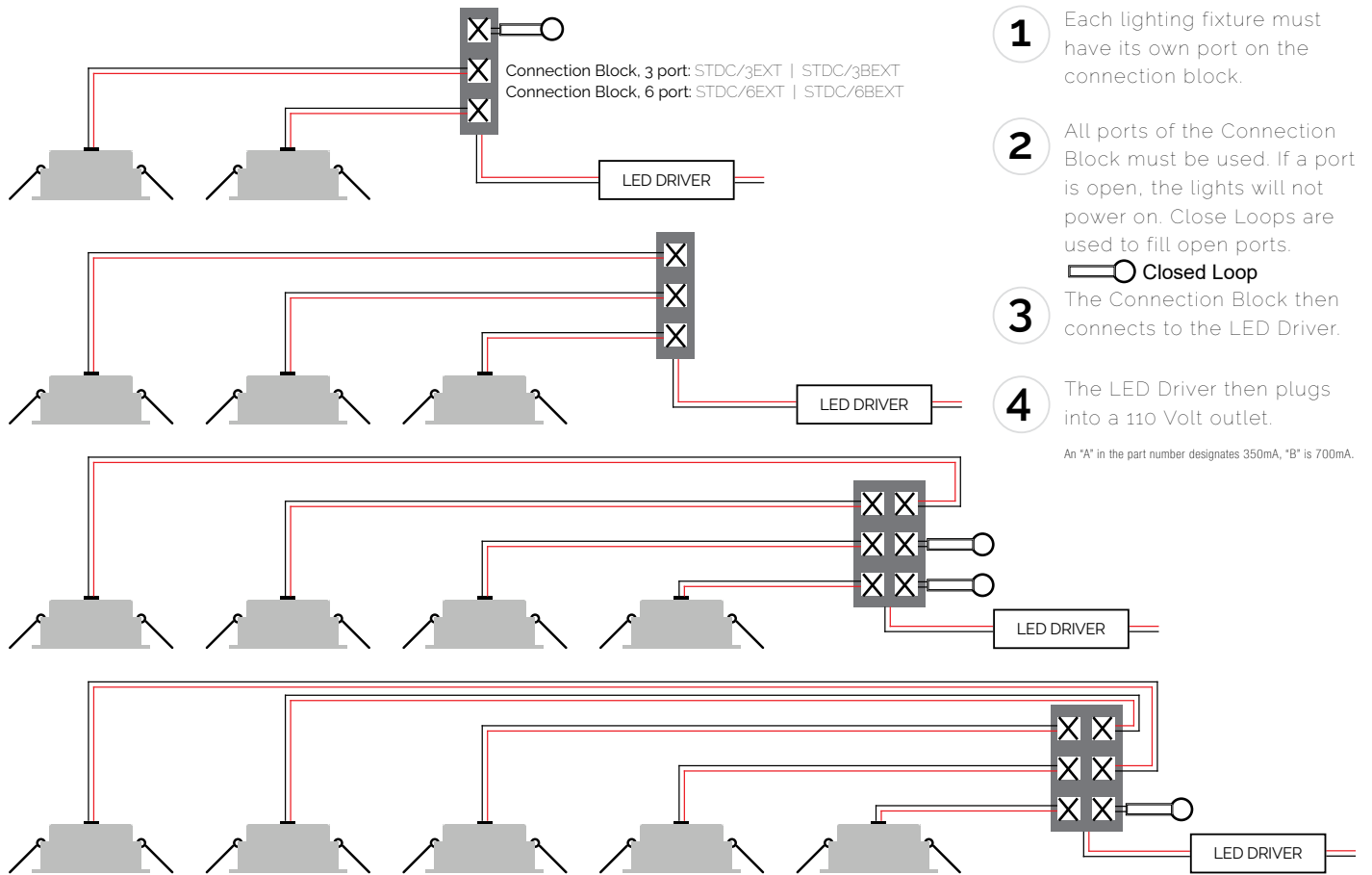
#### What's Required?

1. Choose fixture quantity.
2. Select appropriate 350mA Power Supply
3. Connection Block if connecting more than one fixtures in an area.
4. STDC/CLP Closed Loop if not using all ports in connection block.



## Wiring Diagram:

### APPLIES TO RECESSED LIGHTING USING 350MA and 700MA DRIVERS



### APPLIES IF DISTANCE BETWEEN FIXTURES IS GREATER THAN 6FT

