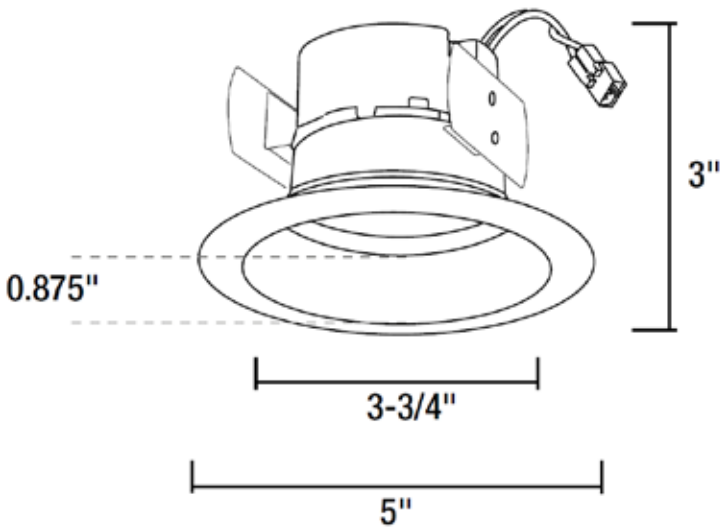


## SPEC SHEET

### 4" LED Retrofit Round Reflector Trim

- Modern Design
- Energy Efficient
- Easy to Install



**Medium Base Socket**

Included for quick retrofit to medium base screw in housings.

### ST-O431

#### Description

The 4" LED Retrofit Reflector fixture is suitable for use with a 4" recessed housing. It produces even illumination without diode image. The low profile dimmable unit is cULus wet listed and produces 650 lumens at 90+ CRI. Deep set optic for visual comfort. This fixtures includes LED Quick Connector which is compatible with dedicated LED housings. Required by some codes in recessed can applications or to meet energy rebate program requirements.

#### Specifics

<b>Wattage:</b>	10.5w
<b>Voltage:</b>	120v
<b>Color Temp.:</b>	27K Soft White ,3K Warm White, 4k Cool White
<b>Brightness:</b>	650 Lumens
<b>Beam Angle:</b>	120°
<b>CRI:</b>	>90
<b>Dimmable:</b>	Yes, with compatible dimmer
<b>Size:</b>	5" D. x 3.75" Aperture x 3" H.
<b>Lifespan:</b>	± 30,000 - 50,000 hours
<b>Mounting:</b>	Recessed mount into 4" housing. Two adjacent spring steel mounting blades allow for easy and secure mount. Includes medium base socket adapter for easy retrofitting in 4" recessed housings.
<b>Finish:</b>	White
<b>Labels:</b>	- Energy Star Listed - cULus Wet Listed - CEC Title 24 Listed - Meets ASTM-E283 Air Tight requirements
<b>Warranty:</b>	5 Year Limited Warranty

