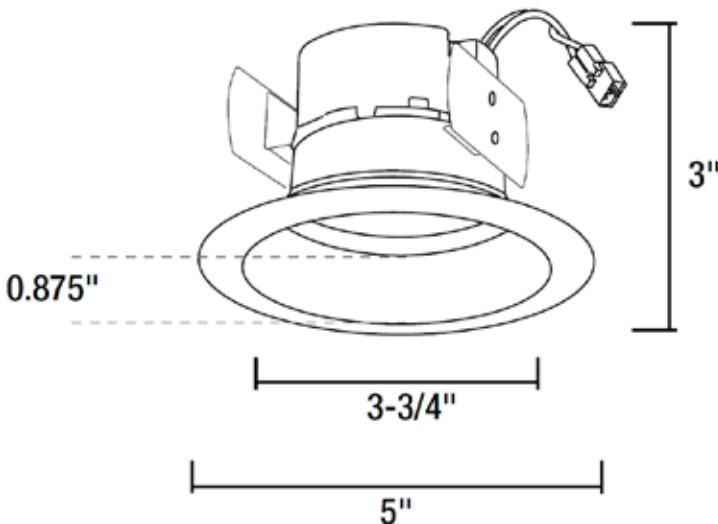


SPEC SHEET

4" LED Retrofit Round Baffle Trim

- Modern Design
- Energy Efficient
- Easy to Install



Medium Base Socket

Included for quick retrofit to medium base screw in housings.

ST-O432

Description

The 4" LED Retrofit Baffle Trim fixture is suitable for use with a 4" recessed housing. It produces even illumination without diode image. The low profile dimmable unit is cULus wet listed and produces 650 lumens at 90+ CRI. Deep set optic for visual comfort. This fixtures includes LED Quick Connector which is compatible with dedicated LED housings. Required by some codes in recessed can applications or to meet energy rebate program requirements.

Specifics

Wattage:	10.5w
Voltage:	120v
Color Temp.:	27K Soft White, 3K Warm White, 4K Cool White
Brightness:	650 Lumens
Beam Angle:	120°
CRI:	>90
Dimmable:	Yes, with compatible dimmer
Size:	5" D. x 3.75" Aperture x 3" H.
Lifespan:	± 30,000 - 50,000 hours
Mounting:	Recessed mount into 4" housing. Two adjacent spring steel mounting blades allow for easy and secure mount. Includes medium base socket adapter for easy retrofitting in 4" recessed housings.
Finish:	White
Labels:	- Energy Star Listed - cULus Wet Listed - CEC Title 24 Listed - Meets ASTM-E283 Air Tight requirements
Warranty:	5 Year Limited Warranty

