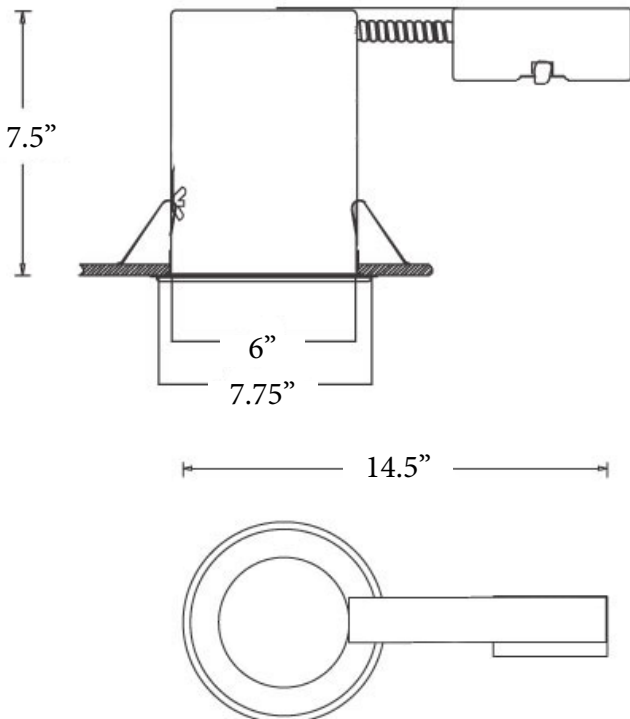


## SPEC SHEET

### 6" LED Recessed Daisy Chain Light Kit

- Modern Design
- Energy Efficient
- Easy to Install



### STDC-LEDRA2-6

#### Description

The 6" LED Recessed Daisy Chain Light Kit is high quality, light weight, and ideal for trade show applications. Airtight construction reduces energy costs by reducing the amount of air escaping through the ceiling. Rated for direct contact with insulation and combustible materials, Step 1 Dezigns Remodel IC housings install into existing drywall or wood ceilings with no above access. The 6" Recessed Light can be conveniently daisy chained to additional fixtures.

#### Specifics

<b>Wattage:</b>	16w
<b>Voltage:</b>	120v
<b>Color Temp.:</b>	4K Cool White or 3K Warm White
<b>Brightness:</b>	1000 Lumens
<b>Beam Angle:</b>	120°
<b>CRI:</b>	>90
<b>Size:</b>	7.75" L. x 14.5" W. x 7.5" H.
<b>Cut-Out Size:</b>	6.25" Ceiling Cutout
<b>Lifespan:</b>	± 30,000 - 50,000 hours
<b>Mounting:</b>	Recessed
<b>Installation:</b>	- Four high tension tempered steel springs secure remodel housing to 5/8" thick (max) ceiling. - Plug N Play (Cord & Plug included).
<b>Included Items:</b>	- LED Light Module - Pre-installed 7.5' Male & Female 7.5' plug extension cords.
<b>Labels:</b>	- Energy Star Listed - cULus Wet Listed - CEC Title 24 Listed
<b>Warranty:</b>	5 Year Limited Warranty

