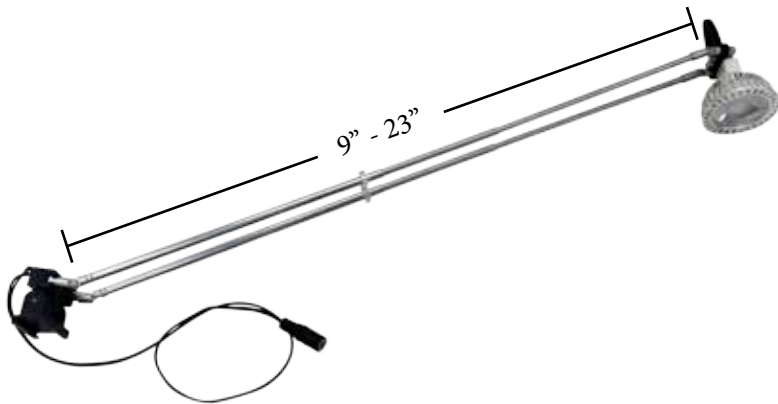


## SPEC SHEET

### LED Elumalight Telescoping Arm Light

- Arm Telescopes from 9" to 23"
- Easy Installation
- Chrome Finish



### STDC154LED

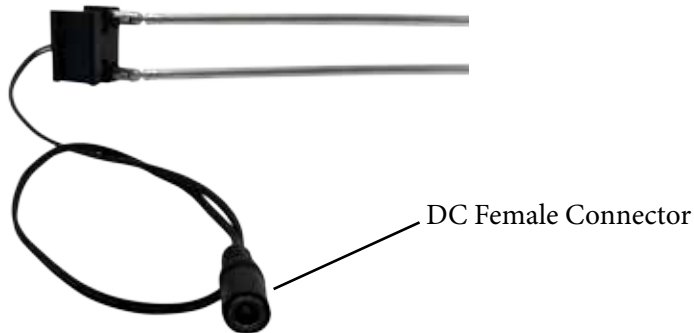
#### Description

The LED Elumalight Telescoping Arm Light is designed to deliver high quality spot lighting to fit lightweight portable booths. The fixture emits low heat and is accepted at all trade show venues. Having a lightweight construction, versatile mounting options. It is ready to mount to your display unit.

Multiple LED Telescoping Arm Lights can be powered by one 60w or 100w LED Plug N Play driver with our 2/3/5-way Splitter Cable and Male/Female DC Extension Cables.

#### Specifics

<b>Bulb:</b>	5w MR-16 Cool White (included)
<b>Wattage:</b>	5w
<b>Voltage:</b>	12v DC
<b>Color Temp:</b>	5000k Cool White
<b>Brightness:</b>	420 Lumens
<b>Beam Angle:</b>	36°
<b>Arm Angle:</b>	160° (Adjustable 90° - 180°)
<b>Fixture Head:</b>	Adjustable 0° - 160°
<b>Arm Length:</b>	Telescope Arm extends from 9" to 23"
<b>Finish:</b>	Silver Chrome Arm
<b>Environment:</b>	Suitable for Indoor Dry Location
<b>Power Supply:</b>	12v DC Driver (plug-n-play only)
<b>Mounting:</b>	Assortment of mounting options
<b>Included Items:</b>	(1) LED Elumalight Telescoping Arm (1) 5W MR16 Bulb - 5k Cool White (1) Mounting Clip (1) 12V DC 1.5A Plug N Play driver

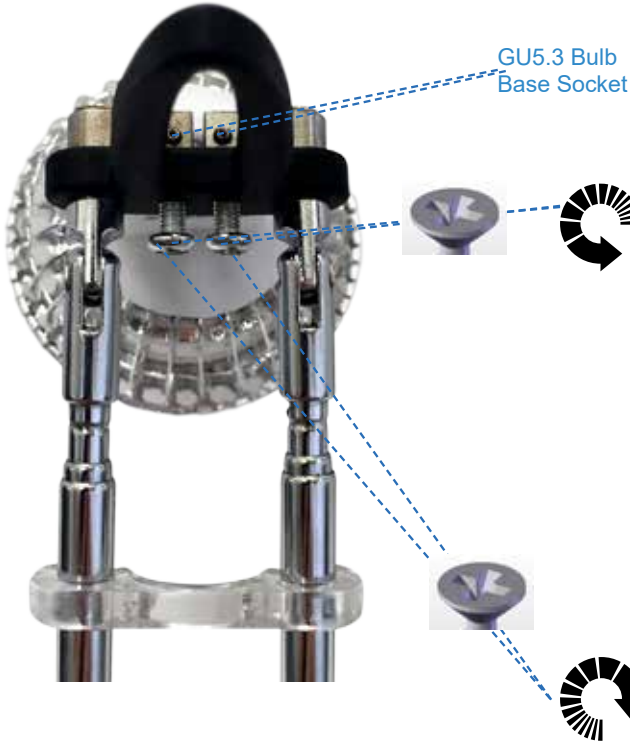


Driver and Mounting Clip  
Included



## Installation

See the following instructions to install GU5.3 base LED MR-16 Bulb:



Step 1: Loosen the two Phillip Head Screws by turning Phillip Head Screwdriver counter-clockwise. Do not remove the Supplied Screws from fixture. Please be careful not to loose the supplied Phillip Screws.

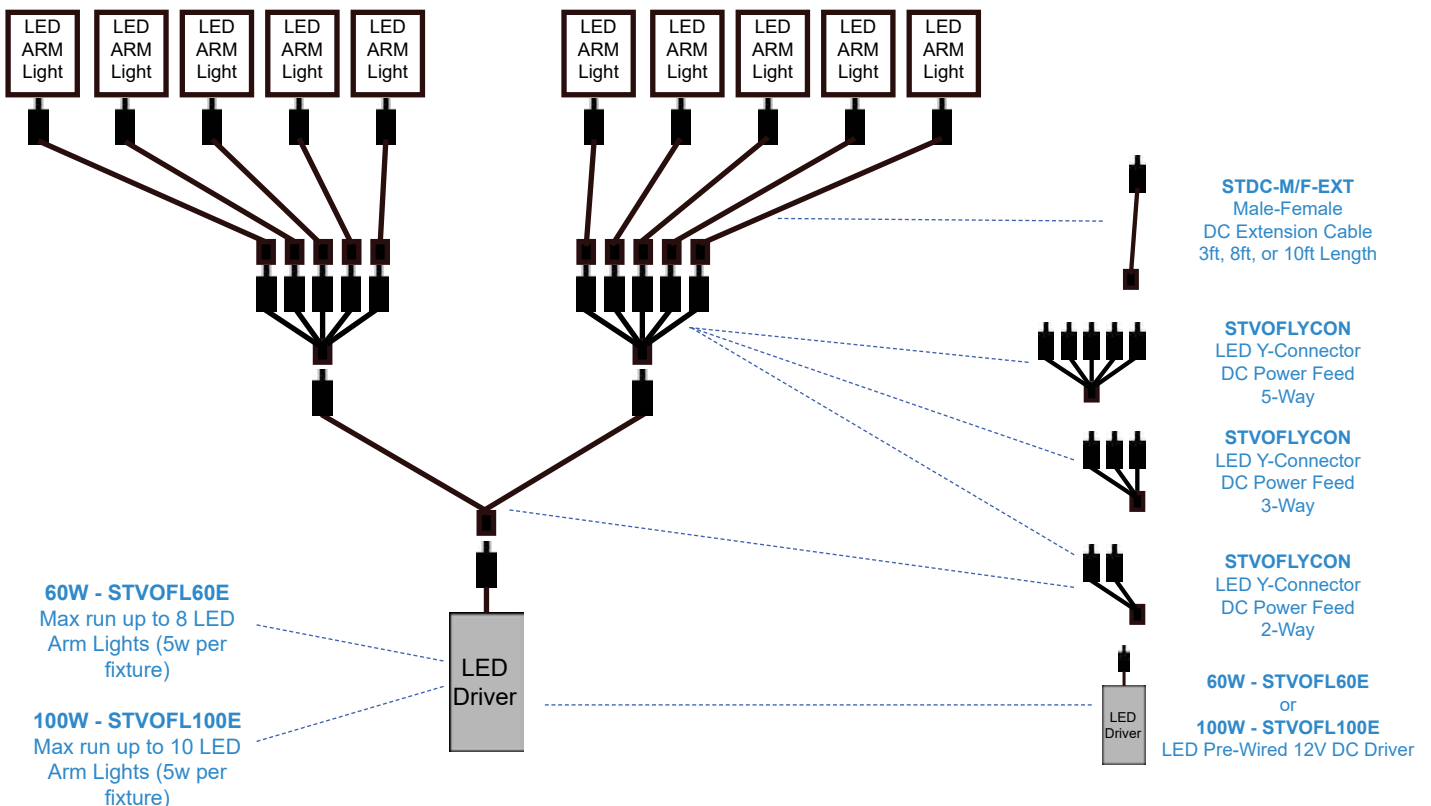
Step 2: Make sure there is enough clearance so the Phillip Head Screws are not blocking light socket holes.

Step 3: Plug the LED GU5.3 MR-16 Bulb into the socket gently. Note: Do not plug the bulb into the Phillip Head Screw mounting holes.

Step 4: Gently tighten the two Phillip Screws by turning Phillip Head Screwdriver clockwise. Make sure both Phillip Head Screws are secure.

## Wiring Diagram

See the following configurations to run multiple fixtures on one LED driver:



## Mounting Options:

**STDL-OC/CL**



Clip fits into slot of Octanorm display extrusion

**STDL-AG/CL**



Clip fits into slot of AGAM or similar display extrusion

**STDL-20BAR**



Screw down clip

**STDL-ANG**



Angled clip allows fixture to run parallel with floor

**STDL-53CL**



Clamp opens to 7".  
(Shown with STDL-ANG clip)

**STDL-56CL**



Clamp opens to 1.5"

**STDC-51CL**



2" Clamp for pipe clamp applications